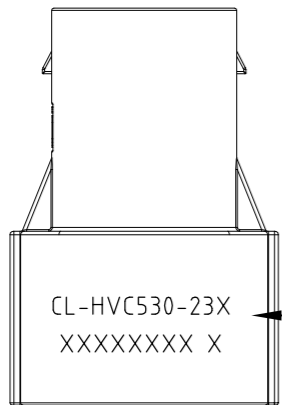
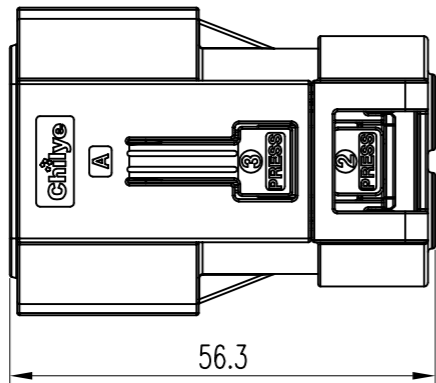
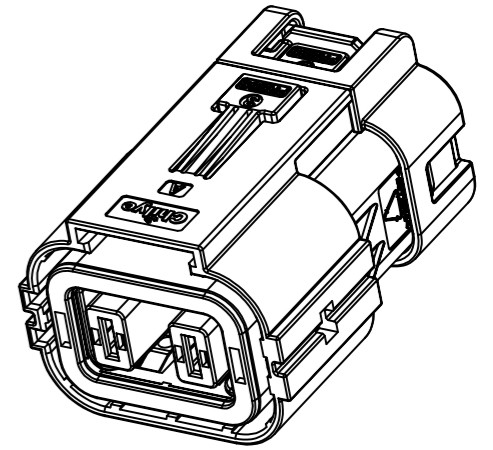
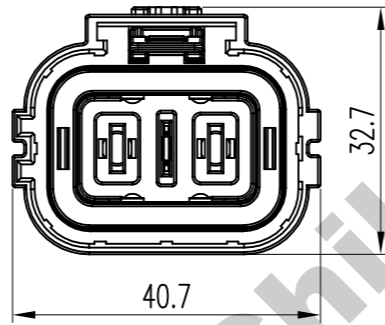
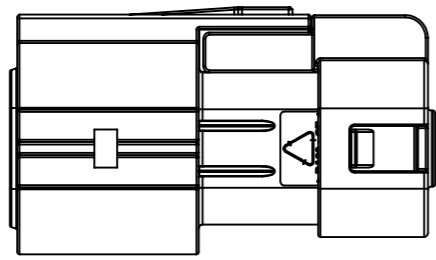


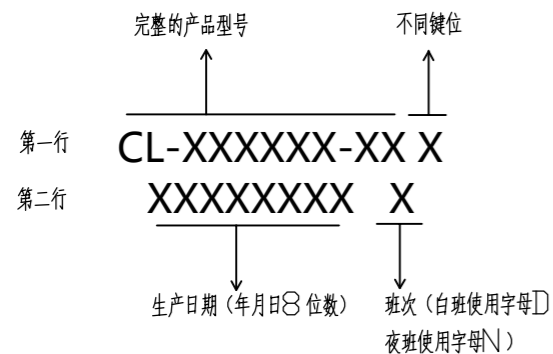
版本 REV	工程变更号 ECN No.	变更描述 CHANGED DESCRIPTION	日期 DATE	修改人 MODIFIED BY
A		首次发行(FIRST RELEASE)	2023/03/10	潘奕磊

A
B
C
D
E
F



激光打标指定位置
(居中字体适当调整)

激光打标打标内容和格式说明:



技术描述:

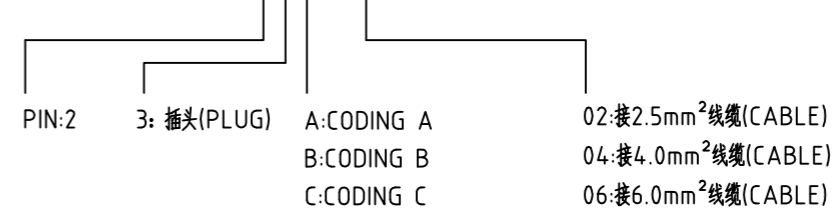
1. 插拔寿命: 大于100次;
DURABILITY IS MORE THAN 100 TIMES;
2. 额定电压: 600V;
VOLTAGE RATING: 600V;
3. 额定电流: 4.0A Max;
CURRENT RATING: 4.0A Max;
- [C] 4. 绝缘电阻: 200MΩ;
INSULATION RESISTANCE: 200MΩ;
- [C] 5. 绝缘耐压: 2500V AC/min;
DIELECTRIC STRENGTH: 2500V AC/min;
6. 防护等级: IP67, IP6K9K(已插合);
IP2XB(未插合);
IP RATING: IP67, IP6K9K(MATED);
IP2XB(UNMATED);
7. 工作温度: -40℃至125℃;
WORKING TEM: -40℃至125℃;
- [C] 8. 阻燃等级: UL94V-0;
FIRE RATING: UL94V-0;
- [C] 9. 材料符合ROHS和REACH要求
THE MATERIAL MEETS ROHS AND REACH REQUIREMENTS

线缆外径选型(屏蔽线)
SCOPE OF CABLE OUTSIDE DIAMETER

6.0mm ²	φ6.0~6.6 mm
4.0mm ²	φ5.1~5.8 mm
2.5mm ²	φ5.1~5.8 mm
SIZE	OUTSIDE DIAMETER

料号说明(PRODUCT MODEL INSTRUCTION):

CL-HVC530-23X-XX

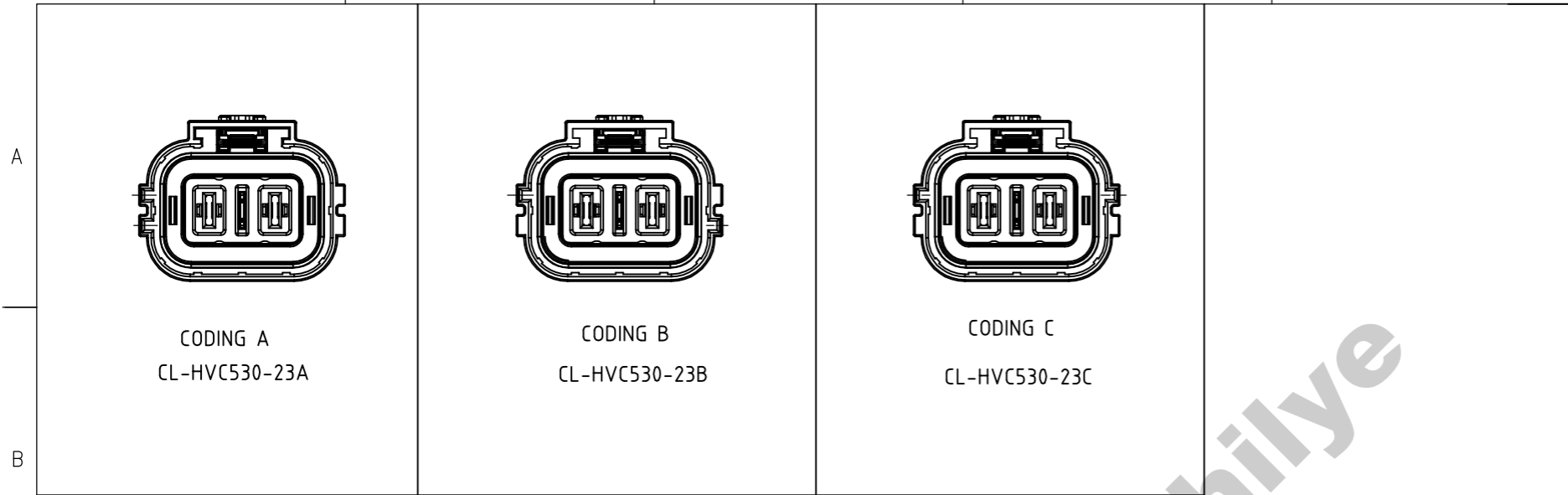


THE DOCUMENT CONTAINS INFORMATION WHICH IS PROPRIETARY TO CHILYE AND SHOULD NOT BE USED WITHOUT WRITTEN PERMISSION

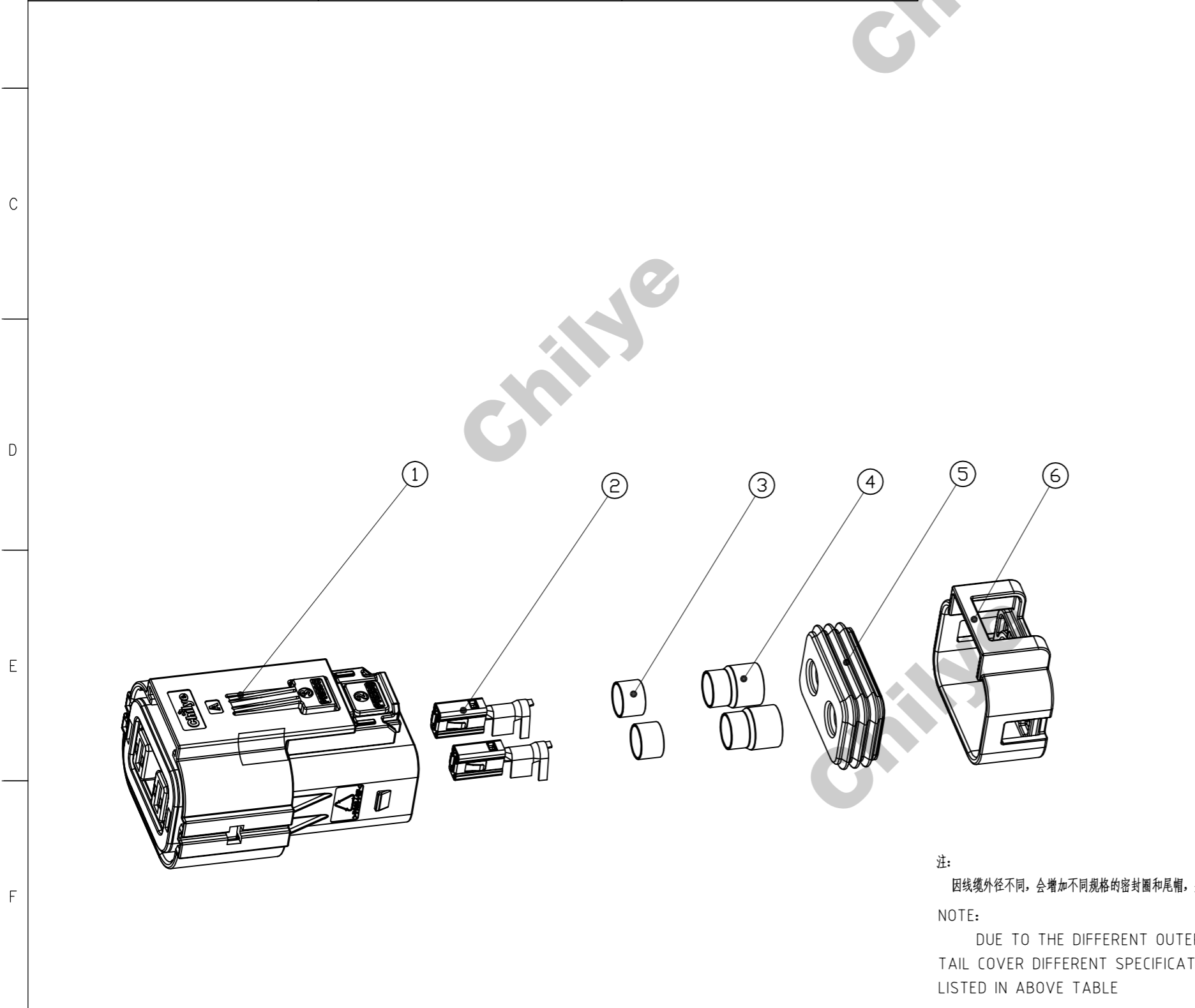
Chilye 智绿

产品名称 / PART NAME
HVC530 二芯线性插头总成
HVC530 2P PLUG 180° ASSY

X.X ±0.3	X° ±1°	第一视角 PROJECTION	设计 DESIGNER	潘奕磊	2023/03/10	文件类型 DOCUMENT	图纸编号 / DRAWING NUMBER			
X.XX ±0.1	X.X° ±0.5°		标准化 STANDARDIZATION			CAD	C-CL-HVC530-23X			
重量 WEIGHT			审核 CHECKED			图纸页数 SHEET	单位 UNIT	图纸 SIZE	比例 SCALE	版次 REV
材料 MATERIAL			核准 APPROVED			1/2	mm	A3	1:1	A



ITEM	PART DWG	CABLE SIZE (mm ²)	PART NUMBER	D(mm)	QTY
1.1		2.5-6	CH10001101001		1
1.2		2.5-6	CH10001101002		1
1.3		2.5-6	CH10001101003		1
2		2.5-4.0	E1122003007		2
		6.0	E1122003008		2
3		2.5-4.0	C120003400101	8.0	2
		6.0	C1200011003	8.0	2
4		2.5-4.0	C120001100201	5.85	2
		6.0	C120001100202	6.6	2
5		2.5-4.0	C127003401301	4.1	1
		6.0	C127003401302	5.1	1
6		2.5-4.0	C1220034023	6.0	1
		6.0	C1220011045	6.7	1



注：
因线缆外径不同，会增加不同规格的密封圈和尾帽，并不局限于上表所列尺寸

NOTE:
DUE TO THE DIFFERENT OUTER DIAMETER OF THE CABLE,THE SEALING RIGN AND TAIL COVER DIFFERENT SPECIFICATIONS WILL BE ADDED,NOT LIMITED TO THE SIZES LISTED IN ABOVE TABLE

文件类型 DOCUMENT	图纸编号 /DRAWING NUMBER			
CAD	C-CL-HVC530-23X			
图纸页数 SHEET	单位 UNIT	图纸 SIZE	比例 SCALE	版次 REV
2/2	mm	A3	1:1	A