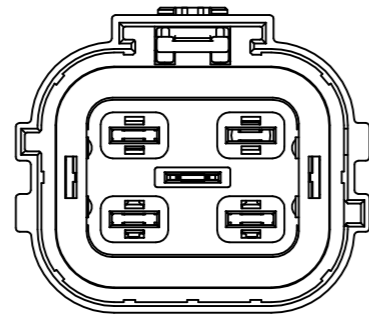
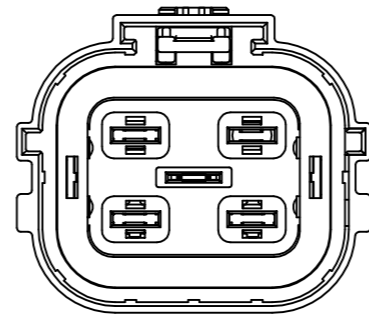


CODING A
CL-HVC530-43A

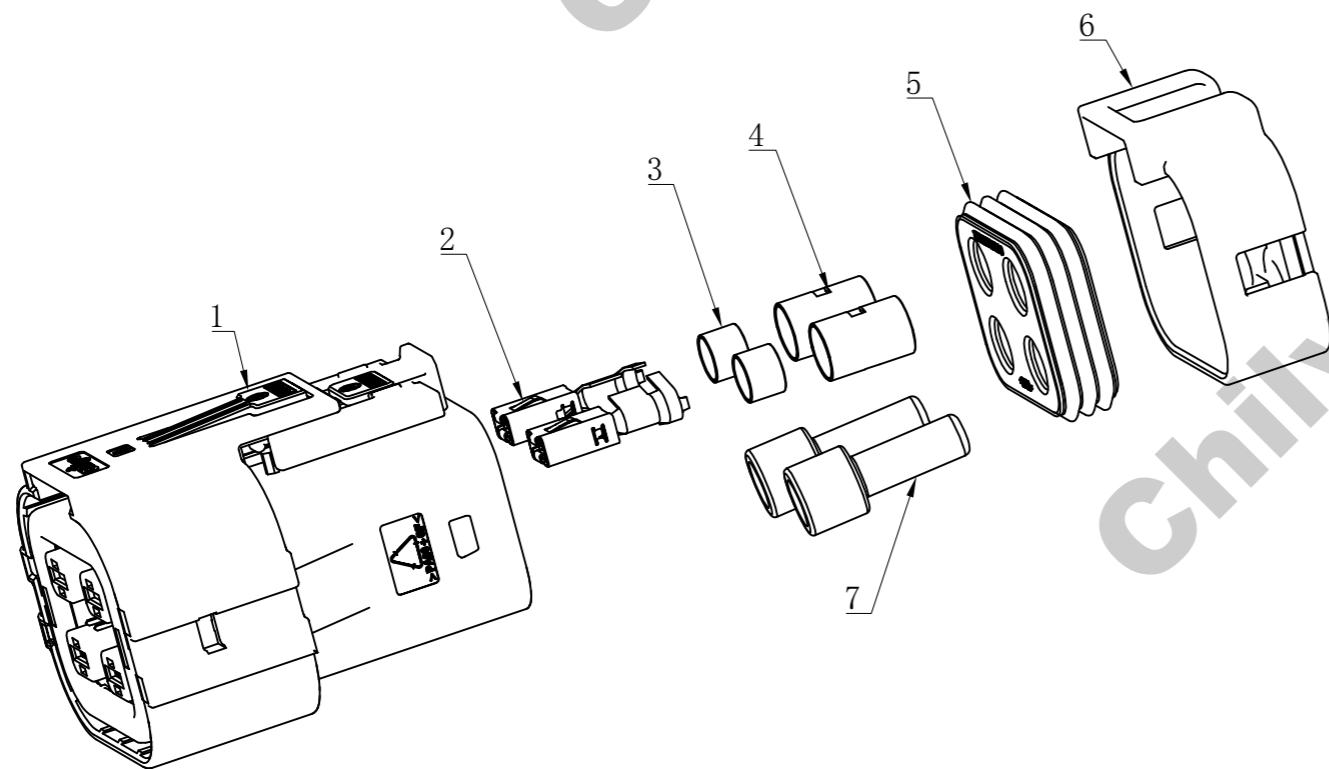


CODING B
CL-HVC530-43A



CODING C
CL-HVC530-43A

| ITEM | PART DWG. | CABLE SIZE (mm ²) | PART NUMBER | D(mm) | QUANTITY NO BLOCK | QUANTITY BLOCK 1 HOLE | QUANTITY BLOCK 2 HOLES |
|------|-----------|-------------------------------|---------------|-------|-------------------|-----------------------|------------------------|
| 01 | | 2.5-6.0 | CL100011008XX | — | 1 | 1 | 1 |
| 02 | | 2.5-4.0 | E1122003009 | — | 4 | 3 | 2 |
| | | 6.0 | E1122003008 | — | 4 | 3 | 2 |
| 03 | | 2.5-4.0 | C120001100201 | 5.8 | 4 | 3 | 2 |
| | | 6.0 | C120001100202 | 6.6 | 4 | 3 | 2 |
| 04 | | 2.5-4.0 | C1200011006 | 7.2 | 4 | 3 | 2 |
| | | 6.0 | C1200011003 | 8.0 | 4 | 3 | 2 |
| 05 | | 2.5-4.0 | C127001100301 | 3.4 | 1 | 1 | 1 |
| | | 6.0 | C127001100302 | 4.1 | 1 | 1 | 1 |
| 06 | | 2.5-4.0 | C1220011023 | 6.0 | 1 | 1 | 1 |
| | | 6.0 | C1220011028 | 6.7 | 1 | 1 | 1 |
| 07 | | 2.5-4.0 | C122001104101 | 5.8 | 0 | 1 | 2 |
| | | 6.0 | C122001104102 | 6.5 | 0 | 1 | 2 |



| | | | | |
|------------------|---------------------|------------|-------------|-----------|
| 文件类型 DOCUMENT | 图纸编号/DRAWING NUMBER | | | |
| CAD | C-CL-HVC530-43X | | | |
| 图纸页数 SHEET | 单位 UNIT | 图纸 SIZE | 比例 SCALE | 版次 REV |
| 2/2 | mm | A3 | 1:1 | A |