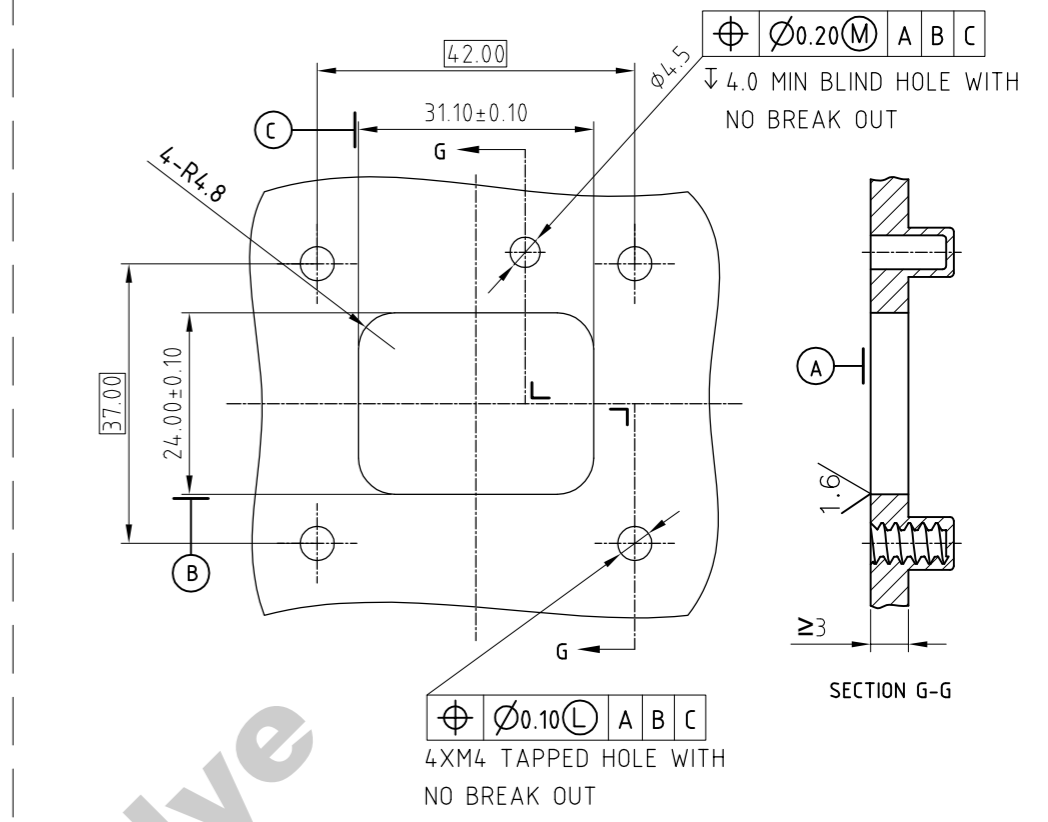
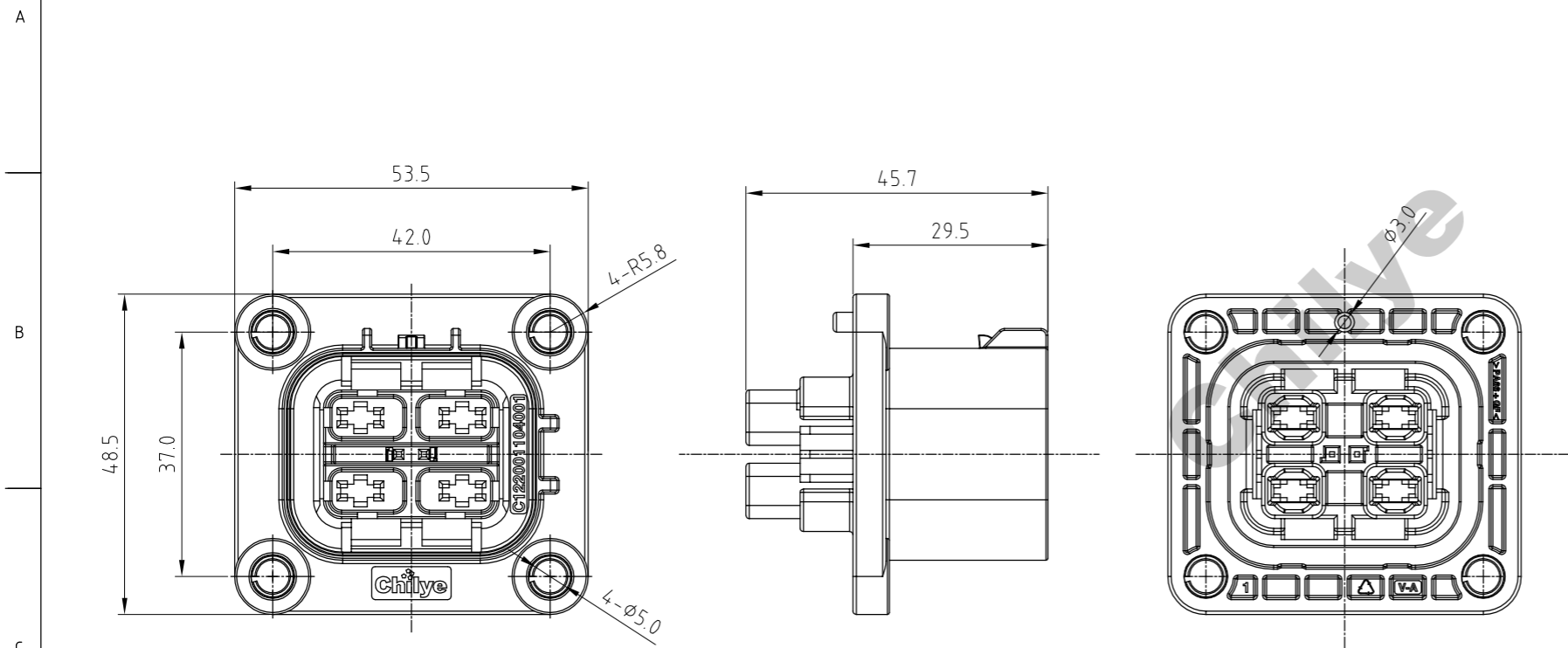
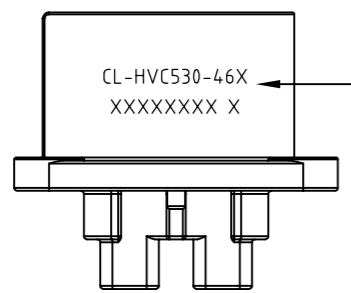


版本 REV	工程变更号 ECN No.	变更描述 CHANGED DESCRIPTION	日期 DATE	修改人 MODIFIED BY
A		首次发行(FIRST RELEASE)	2022/2/23	熊自豪

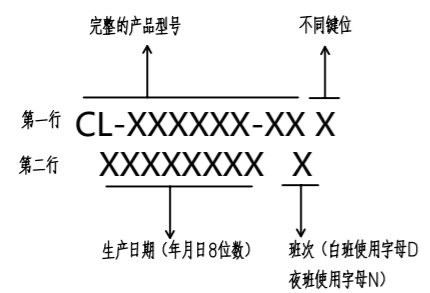


MOUNTING INTERFACE SPECIFICATION
(CODING A MOUNTING INTERFACE SHOWN)
REFER TO PAGE 2/2 FOR CODING B~C MOUNTING DIFFERENCES



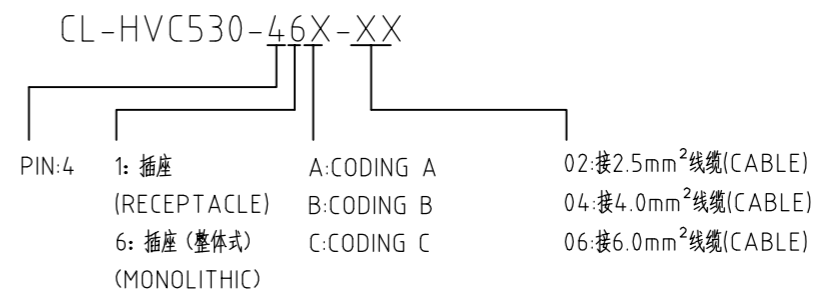
激光打标指定位置
(居中字体适当调整)

激光打标内容和格式说明:



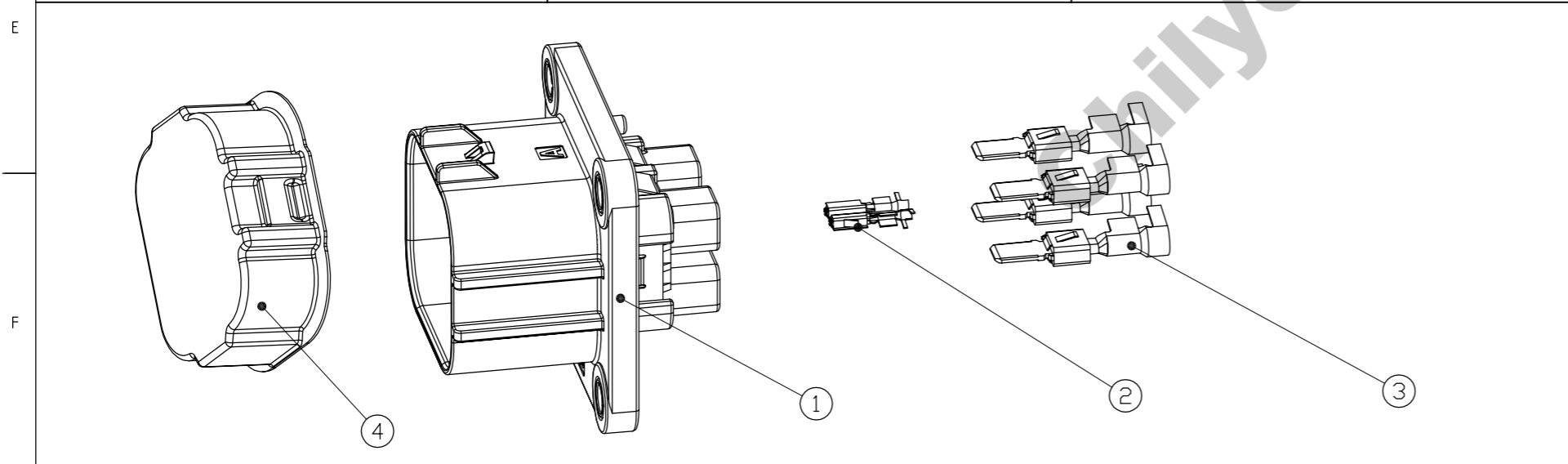
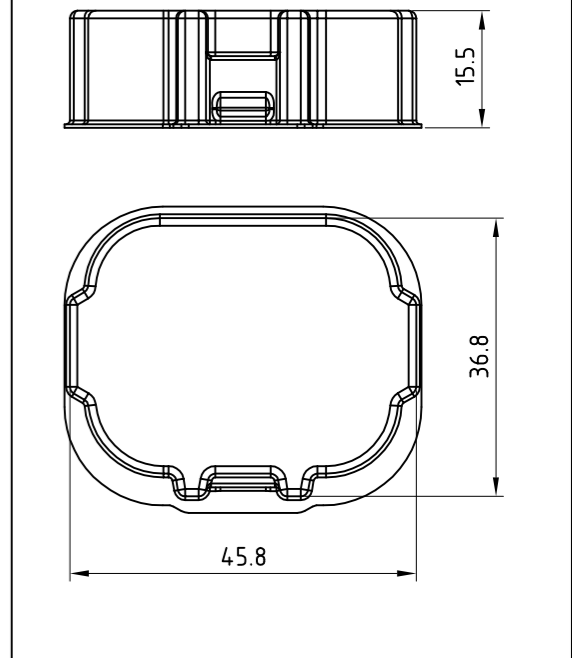
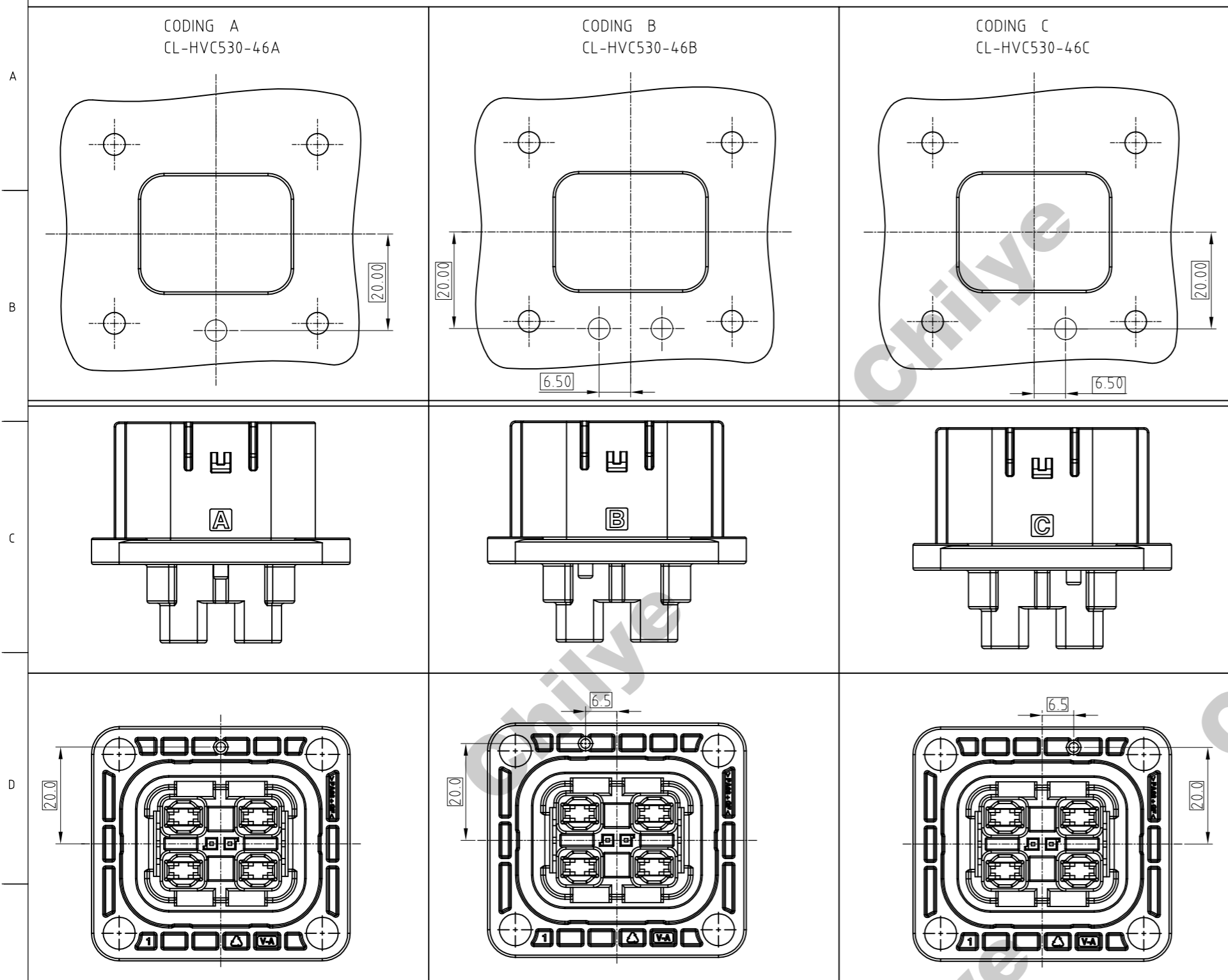
- 技术描述:
1. 插拔寿命: 大于100次;
DURABILITY IS MORE THAN 100 TIMES;
 2. 额定电压: 600V;
RATED VOLTAGE: 600V;
 3. 额定电流: 40A(6平线);
RATED CURRENT: 40A(6mm² CABLE);
 4. 绝缘阻抗: 200MΩ;
INSULATION RESISTANCE: 200MΩ;
 5. 耐压: 2500V AC/min;
WITHSTANDING VOLTAGE: 2500V AC/min;
 6. 防护等级: IP67, IP6K9K(已插合);
IP2XB(未插合);
IP RATING: IP67, IP6K9K(MATED);
IP2XB(UNMATED);
 7. 工作温度: -40℃至125℃;
OPERATION TEMPERATURE: -40℃ TO 125℃;
 8. 阻燃等级: UL94V-0;
FIRE RATING: UL94V-0;
 9. M4螺丝扭力: 2.4±0.6N.M;
M4 SCREW TORQUE: 2.4±0.6N.M;
 10. 螺钉头或垫片外径: φ8~φ12mm.
SCREW CAP OR GASKET DIAMETER: φ8~φ12mm.
 11. 材料符合ROHS和REACH要求
THE MATERIAL MEETS ROHS AND REACH REQUIREMENTS

料号说明(PRODUCT MODEL INSTRUCTION):



THE DOCUMENT CONTAINS INFORMATION WHICH IS PROPRIETARY TO CHILYE AND SHOULD NOT BE USED WITHOUT WRITTEN PERMISSION						产品名称/PART NAME				
						HVC530 四芯整体插座总成 HVC530 4P MONOLITHIC RECEPTACLE ASSY				
X.X ±0.3	X° ±1°	第一视角 PROJECTION	设计 DESIGNER	熊自豪	2022/2/23	文件类型 DOCUMENT	图纸编号/DRAWING NUMBER			
X.XX ±0.1	X.X° ±0.5°		标准化 STANDARDIZATION			CAD	C-CL-HVC530-46X			
重量 WEIGHT			审核 CHECKED			图纸页数 SHEET	单位 UNIT	图纸 SIZE	比例 SCALE	版次 REV
材料 MATERIAL			核准 APPROVED			1/2	mm	A3		A

开孔图(MOUNTING INTERFACE)



4	C1220011039	插座防尘盖	4P SOCKET DUST CAP	1	选配
3.2	E1122003006	6平方端子	TAB5.8X0.8 FOR 6.0mm ² WIRE	4	
3.1	E1122003007	2.5-4平方端子	TAB5.8X0.8 FOR 2.5-4mm ² WIRE	4	
2	E1122003001	信号端子	MQS RECEPTACLE FOR 0.5~0.75mm ² WIRE	2	
1.3	CH10001101103	插座壳C键位半成品	HVC530 4P RECEPTACLE C ASSY	1	
1.2	CH10001101102	插座壳B键位半成品	HVC530 4P RECEPTACLE B ASSY	1	
1.1	CH10001101101	插座壳A键位半成品	HVC530 4P RECEPTACLE A ASSY	1	
ITEM	PART NO	PART NAME	DESCRIPTION	QTY	REMARK

6.0mm ²	4.9~5.3 mm	文件类型	图纸编号/DRAWING NUMBER			
4.0mm ²	3.3~4.6 mm	DOCUMENT	C-CL-HVC530-46X			
2.5mm ²	2.5~3.8 mm	CAD	单位	图纸	比例	版次
SIZE	OUTSIDE DIAMETER	图纸页数	UNIT	SIZE	SCALE	REV
SCOPE OF CABLE OUTSIDE DIAMETER		2/2	mm	A3	✗	A