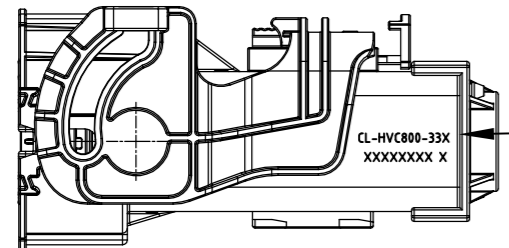
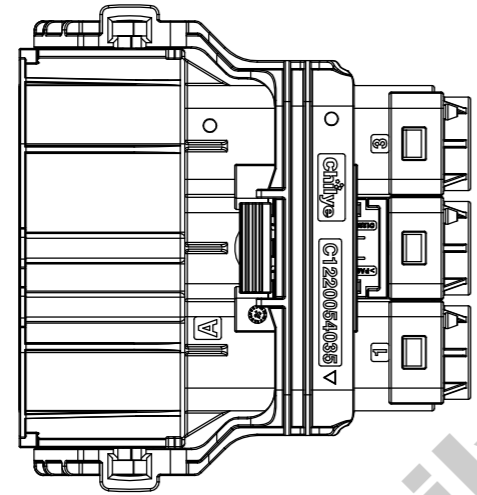
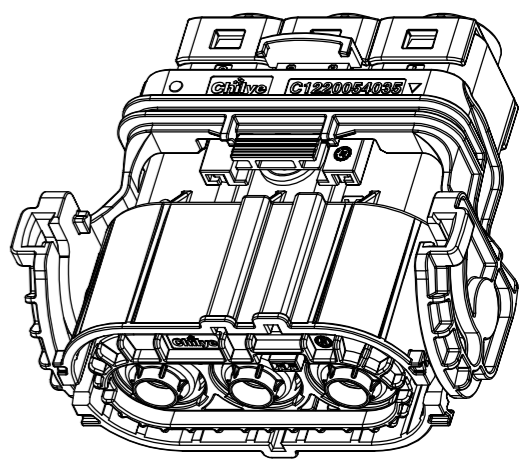
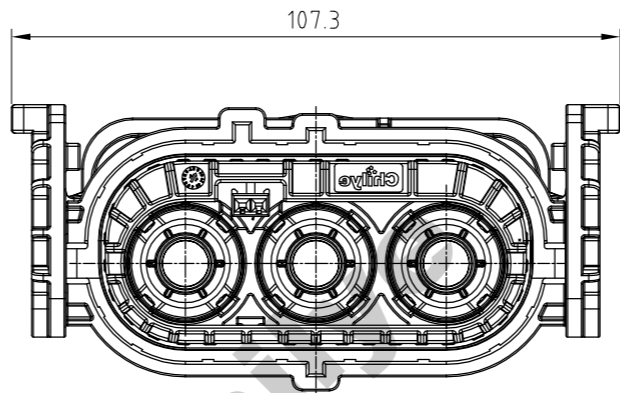
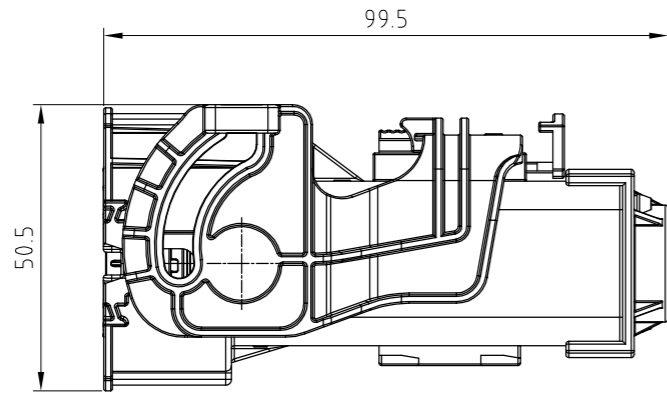


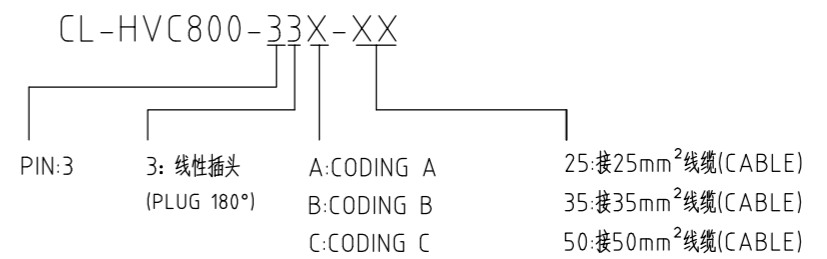
版本 REV	工程变更号 ECN No.	变更描述 CHANGED DESCRIPTION	日期 DATE	修改人 MODIFIED BY
A		首次发行(FIRST RELEASE)	2016/10/22	Cason.xu



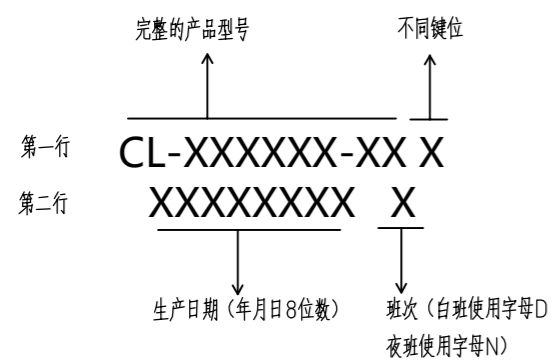
激光打标指定位置
左侧键位测
(居中字体适当调整)

技术描述:
 1. 插拔寿命:大于100次;
 DURABILITY IS MORE THAN 100 TIMES;
 2. 额定电压:1000V;
 RATED VOLTAGE:1000V;
 3. 额定电流:250A(50平线);
 RATED CURRENT:250A(50mm² CABLE);
 [C] 4. 绝缘阻抗:500MΩ;
 INSULATION RESISTANCE:500MΩ;
 [C] 5. 耐压:3000V AC/min;
 WITHSTANDING VOLTAGE:3000V AC/min;
 6. 防护等级: IP67,IP6K9K(已插合);
 IP2XB(未插合);
 IP RATING:IP67,IP6K9K(MATED);
 IP2XB(UNMATED);
 7. 工作温度:-40℃至125℃;
 OPERATION TEMPERATURE:-40℃至125℃;
 [C] 8. 阻燃等级:UL94V-0;
 FLAME RETARDANT RATING:UL94-V0;
 [C] 9. 材料符合ROHS和REACH要求
 THE MATERIAL MEETS ROHS AND REACH REQUIREMENTS

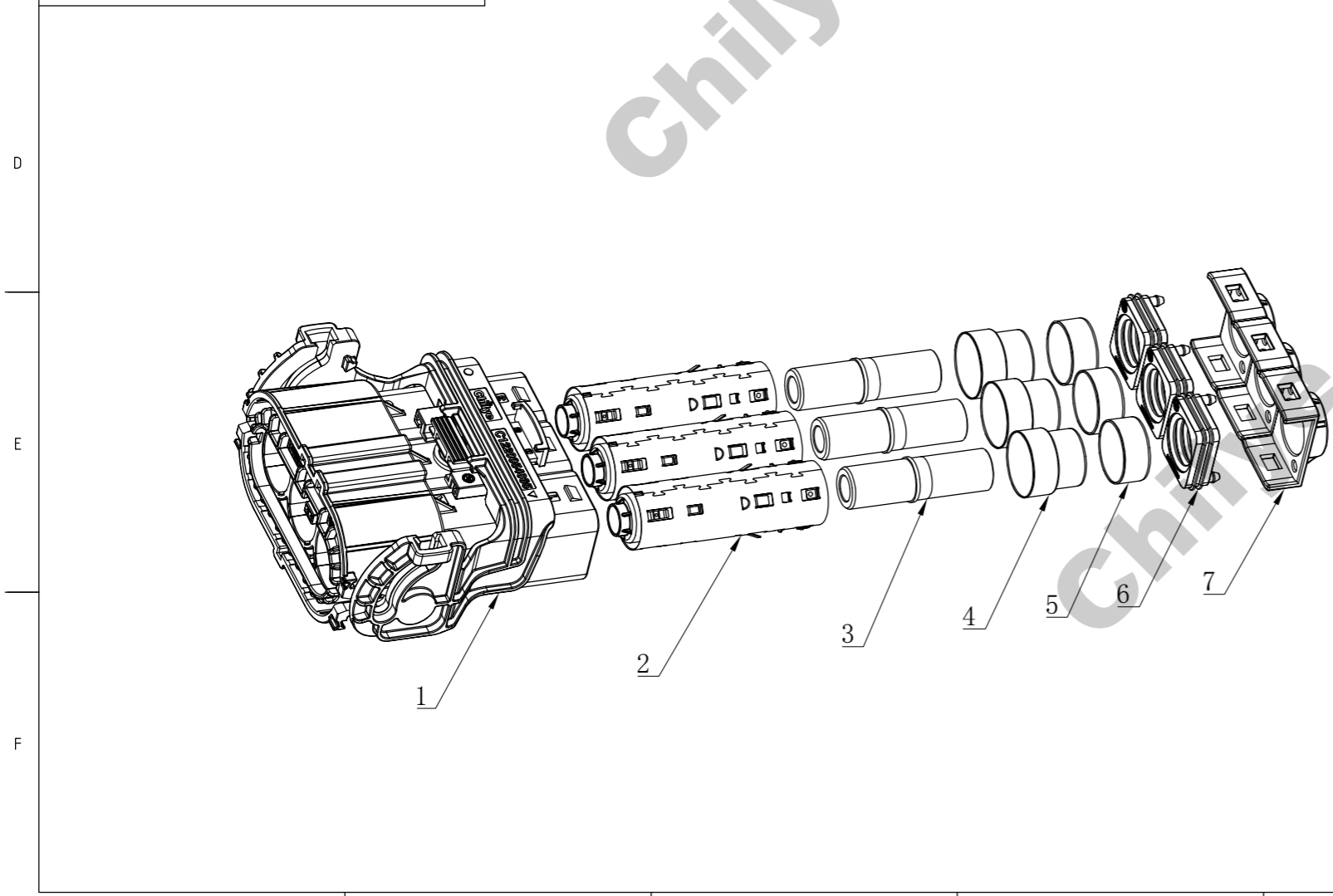
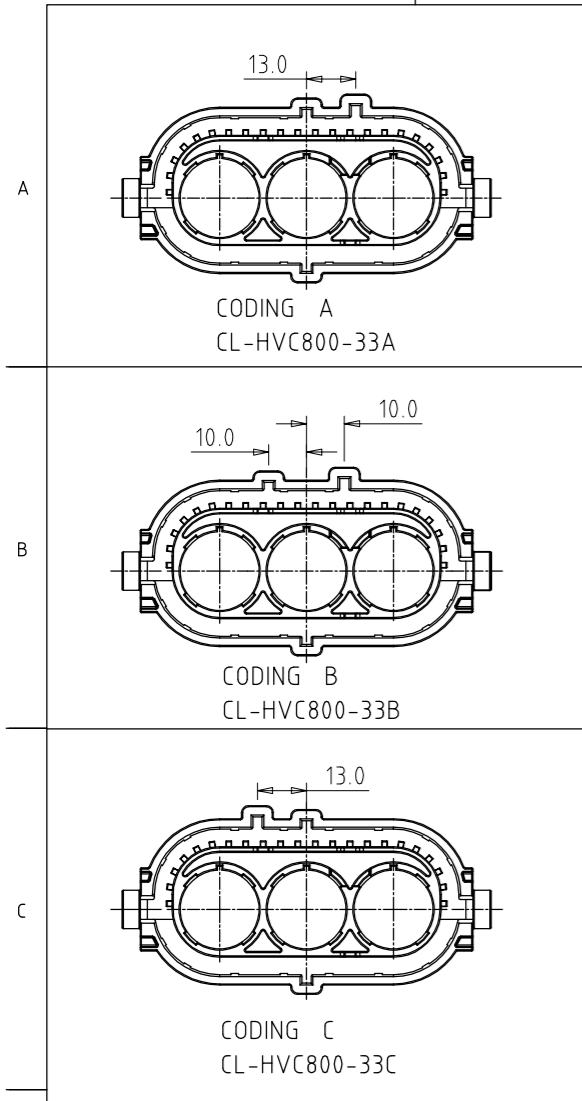
料号说明(PRODUCT MODEL INSTRUCTION):



激光打标内容和格式说明:



THE DOCUMENT CONTAINS INFORMATION WHICH IS PROPRIETARY TO CHILYE AND SHOULD NOT BE USED WITHOUT WRITTEN PERMISSION		Chilye 智绿		产品名称/PART NAME HVC800 三芯线性插头总成 HVC800 3P PLUG 180° ASSY	
X.X ±0.5	X° ±1°	第一视角 PROJECTION	设计 DESIGNER	Cason.xu	2016/10/22
X.XX ±0.3	X.X° ±0.5°		标准化 STANDARDIZATION	文件类型 DOCUMENT	CAD
重量 WEIGHT	339 g	审核 CHECKED	核准 APPROVED	图纸页数 SHEET	1/3
材料 MATERIAL				单位 UNIT	mm
				图纸 SIZE	A3
				比例 SCALE	3/4
				版次 REV	A



ITEM	PART DWG.	CABLE DIA (ϕ mm)	PART NUMBER	D(mm)	QUANTITY
1		—	CH100054016XX	—	1
2		—	CH100054007	—	3
3		12.6~13.2	CH10005400501	7.0	3
		14.1~14.9	CH10005400502	8.5	3
		16.6~17.4	CH10005400503	10.0	3
4		12.6~13.2	C131005400301	14.0	3
		14.1~14.9	C131005400302	15.5	3
		16.6~17.4	C131005400303	18.0	3
5		12.6~13.2	C131005400401	15.6	3
		14.1~14.9	C131005400402	17.1	3
		16.6~17.4	C131005400403	19.6	3
6		12.6~13.2	C127005400301	11.0	3
		14.1~14.9	C127005400302	12.5	3
		16.6~17.4	C127005400303	15.0	3
7		12.6~13.2	C122005400204	13.9	3
		14.1~14.9	C122005400202	15.1	3
		16.6~17.4	C122005400203	17.6	3

50mm ²	16.6~17.4 mm	文件类型 DOCUMENT	图纸编号/DRAWING NUMBER			
35mm ²	14.1~14.9mm	CAD	C-CL-HVC800-33X			
25mm ²	12.6~13.2 mm	图纸页数 SHEET	单位 UNIT	图纸 SIZE	比例 SCALE	版次 REV
SIZE	OUTSIDE DIAMETER	2/3	mm	A3	<input type="checkbox"/>	A
SCOPE OF CABLE OUTSIDE DIAMETER						

1

2

3

4

5

6

7

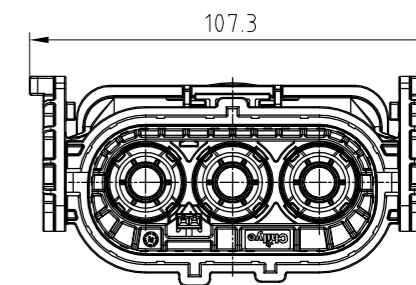
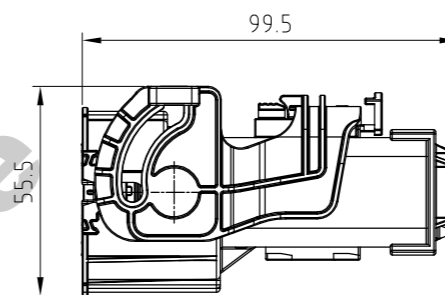
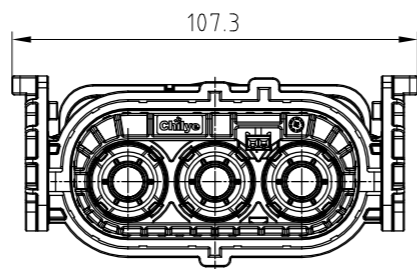
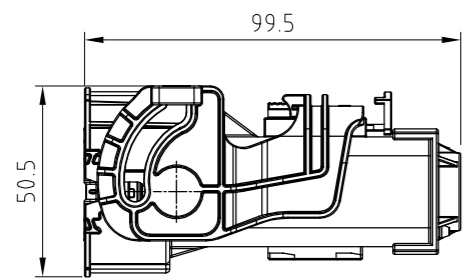
8

A

LEVER OPERATION SIDE ○

LEVER OPERATION SIDE △

A

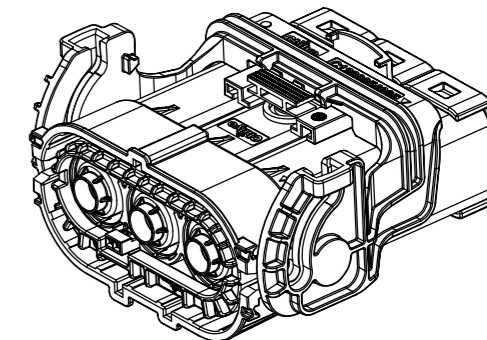
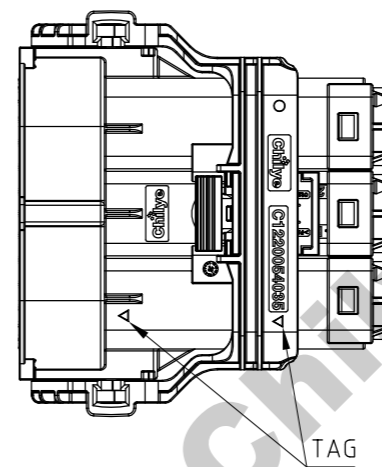
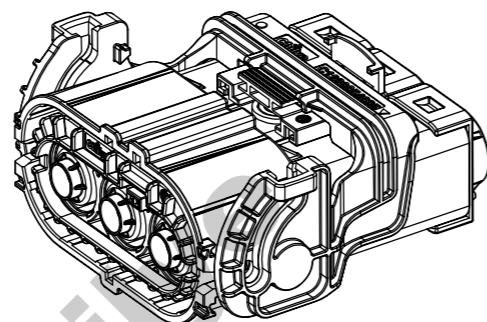
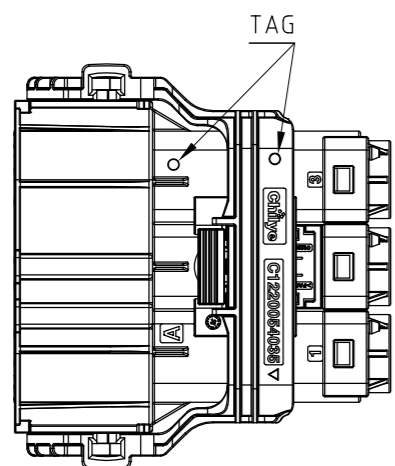


B

B

C

C



D

D

E

E

F

F

文件类型 DOCUMENT	图纸编号/DRAWING NUMBER			
CAD	C-CL-HVC800-33X			
图纸页数 SHEET	单位 UNIT	图纸 SIZE	比例 SCALE	版次 REV
3/3	mm	A3	1/2	A

1

2

3

4

5

6

7

8