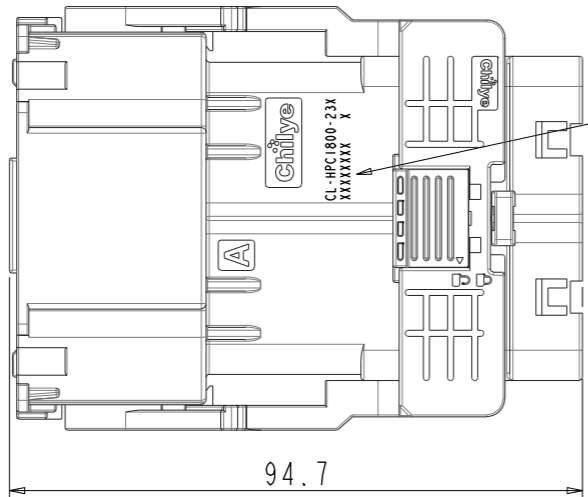
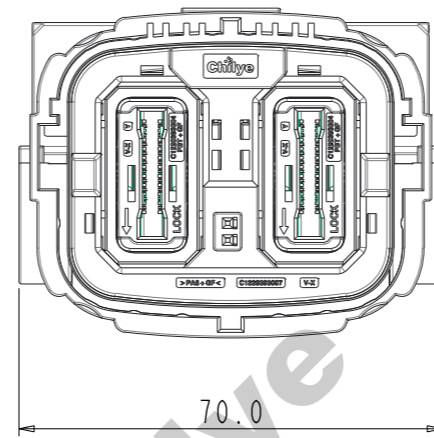
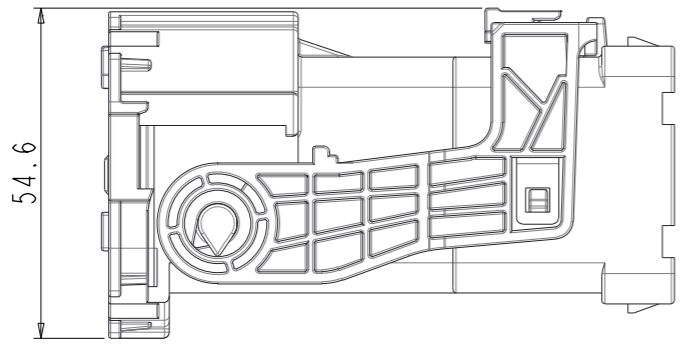
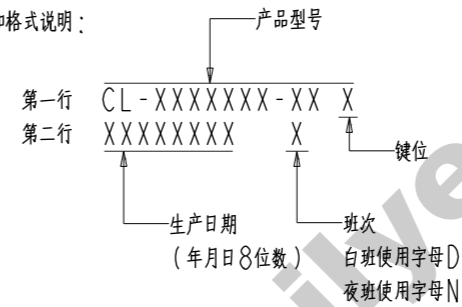


版本 REV	工程变更号 ECN No	变更描述 CHANGED DESCRIPTION	日期 DATE	修改人 MODIFIED
A		首次发行(FIRST RELEASE)	2024/02/22	刘冰冰



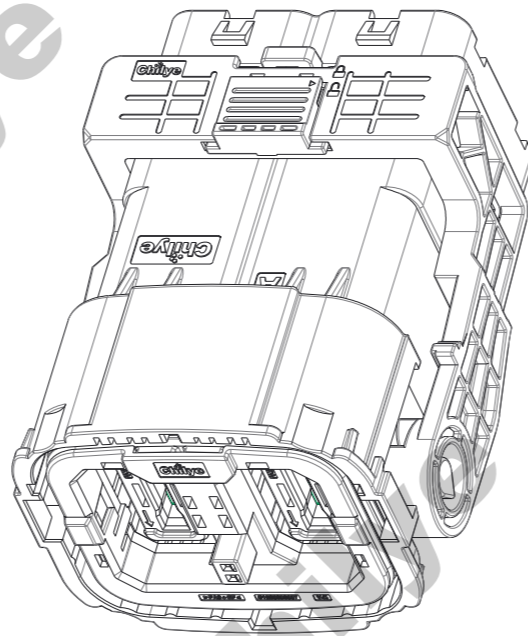
激光打标指定位置
居中字体适当调整

激光打标内容和格式说明:



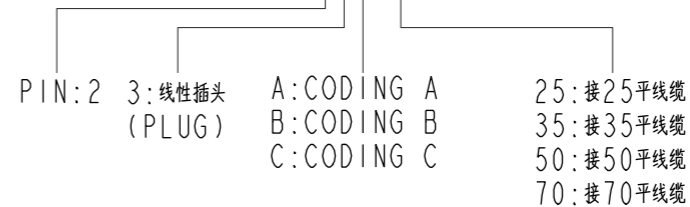
技术描述:

- 运输条件: TPA处于预锁定状态;
SHIPPING CONDITIONS: TPA IS PRE-LOCKED;
- 运输条件: 扳手处于预锁定状态;
SHIPPING CONDITIONS: THE WRENCH IS PRE-LOCKED;
- CPA处于锁定状态;
THE CPA IS LOCKED;
- 插拔寿命: 大于100次;
DURABILITY IS MORE THAN 100TIMES;
- 额定电压: 1000V DC;
RATED VOLTAGE: 1000V DC;
- 额定电流: 280A, 85°C, 70mm²;
RATED CURRENT: 280A; 85°C, 70mm²;
- [C] 绝缘阻抗: 1000V DC; 60S; ≥200MΩ (下线检测时间5S);
INSULATION RESISTANCE: 1000V DC; 60S; ≥200MΩ;
(OFFLINE DETECTION TIME 5 SECONDS);
- [C] 8. 绝缘耐压: 3000V AC 60S; 无击穿、断裂、漏电流≤5mA (下线检测时间5S);
WITHSTANDING VOLTAGE: 3000V AC 60S NO BREAKDOWN; FRACTURE;
LEAKAGE CURRENT≤5MA OFFLINE DETECTION TIME 5 SECONDS)
- 防护等级: IP67, IP6K9K (已插合); IP2XB (未插合);
IP RATING: IP67, IP6K9K (MATED); IP2XB (UNMATED);
10. 工作温度: -40至125°C;
OPERATION TEMPERATURE: -40至125°C
- [C] 11. 阻燃等级: UL94V-0;
FLAMMABILITY RATING: UL94V-0;
- [C] 12. 材料符合ROHS和REACH要求;
THE MATERIAL MEETS ROHS AND REACH REQUIREMENTS;
- [C] 13. 材料符合禁用物质要求;
THE MATERIAL MEETS THE REQUIREMENTS OF A PROHIBITED SUBSTANCE;



料号说明:(PRODUCT MODEL INSTRUCTION):

C-CL-HPC1800-23X-XX



70mm ²	Ø 17.40-18.20mm
50mm ²	Ø 15.20-15.80mm
35mm ²	Ø 13.80-14.40mm
25mm ²	Ø 11.60-12.20mm
SIZE	OUTSIDE DIAMETER
SCOPE OF CABLE OUTSIDE DIAMETER	

THE DOCUMENT CONTAINS INFORMATION WHICH IS PROPRIETARY TO CHILYE AND SHOULD NOT BE USED WITHOUT WRITTEN PERMISSION

Chilye 智绿

产品名称/PART NAME

HPC1800-23X插头

X ±0.3	X° ±10°	第一视角 PROJECTION	设计 DESIGNER	刘冰冰	2024/02/22	文件类型 DOCUMENT	图纸编号/DRAWING NUMBER			
XX±0.10	XX° ±0.5°		标准化 STANDARDIZATION			CAD	C-CL-HPC1800-23X			
重量 WEIGHT			审核 CHECKED			图纸页数 SHEET	单位 UNIT	图纸 SIZE	比例 SCALE	版次 REV
材料 MATERIAL			核准 APPROVED			1 / 3	mm	A3	4:5	A

1

2

3

4

5

6

7

8

CODING A

CODING B

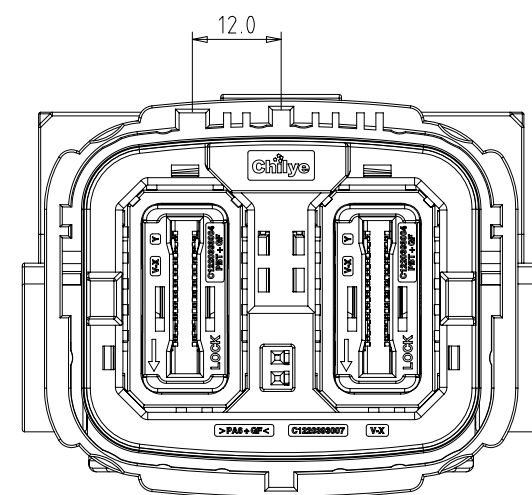
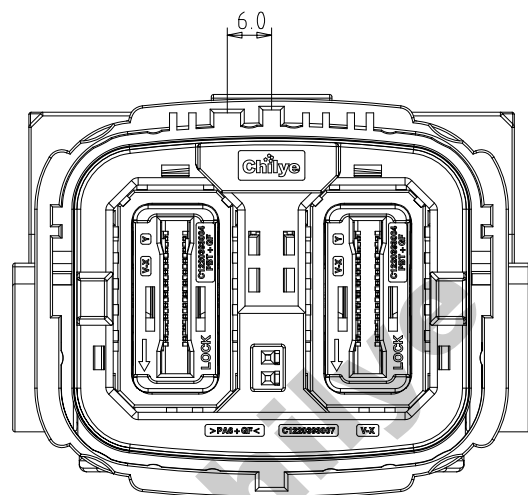
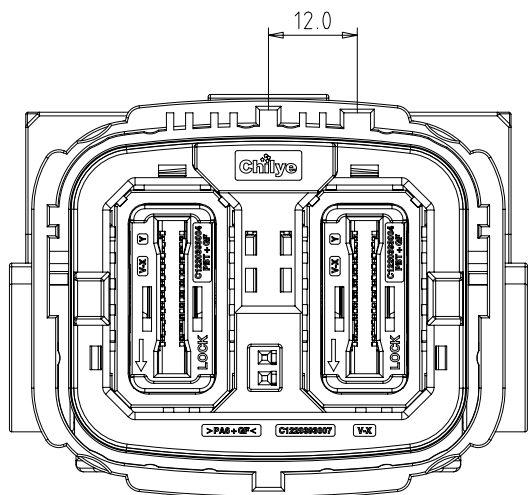
CODING C

A

B

A

B



C

D

E

F

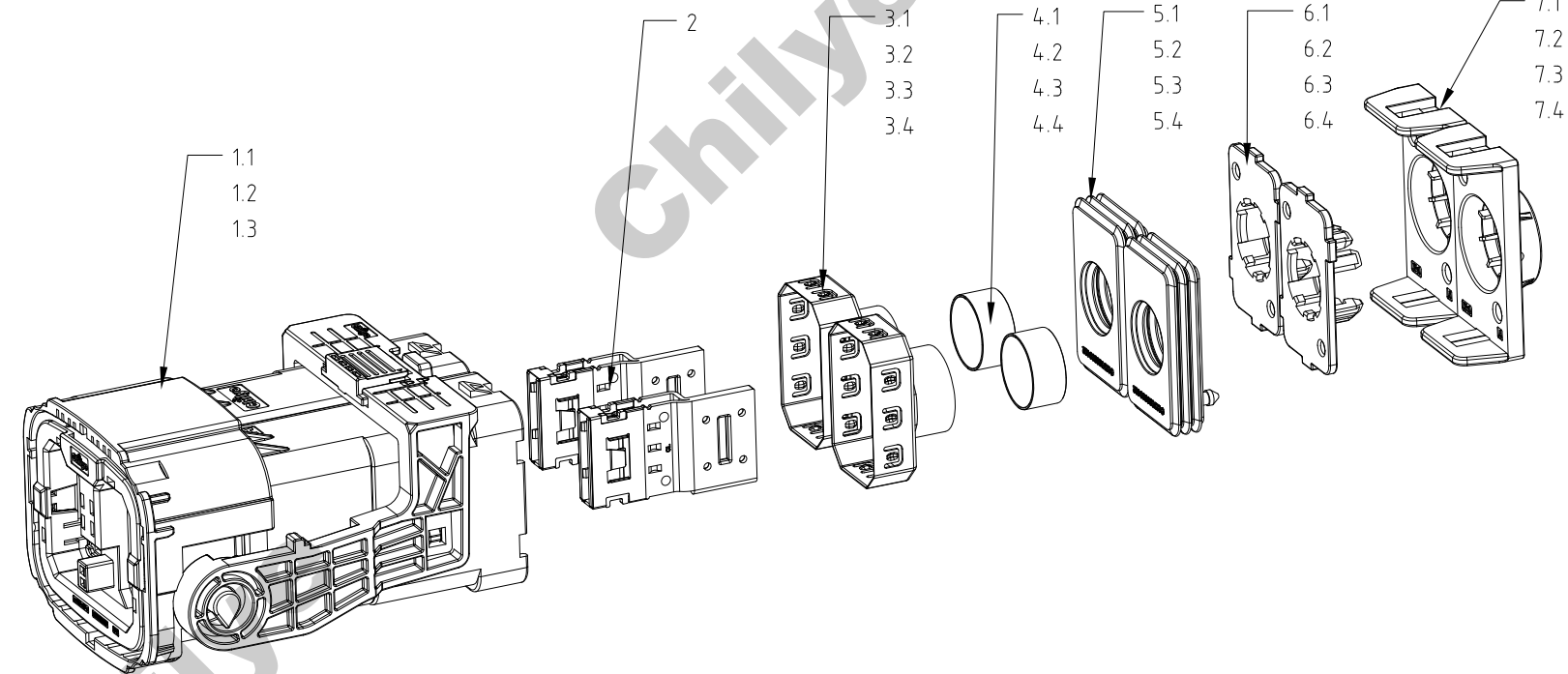
C

D

E

F

7.4	C122039300804	尾帽线性-25平	Φ11.60-12.20mm	2	
7.3	C122039300803	尾帽线性-35平	Φ13.80-14.40mm	2	
7.2	C122039300802	尾帽线性-50平	Φ15.20-15.8mm	2	
7.1	C122039300801	尾帽线性-70平	Φ17.40-18.20mm	2	
6.4	C122039300904	线性线夹-25平	Φ11.60-12.20mm	2	
6.3	C122039300903	线性线夹-35平	Φ13.80-14.40mm	2	
6.2	C122039300902	线性线夹-50平	Φ15.20-15.8mm	2	
6.1	C122039300901	线性线夹-70平	Φ17.40-18.20mm	2	
5.4	C127039300904	线缆防水圈-25平	Φ11.60-12.20mm	2	
5.3	C127039300903	线缆防水圈-35平	Φ13.80-14.40mm	2	
5.2	C127039300902	线缆防水圈-50平	Φ15.20-15.8mm	2	
5.1	C127039300901	线缆防水圈-70平	Φ17.40-18.20mm	2	
4.4	C131039300704	内屏蔽压管-25平	Φ11.60-12.20mm	2	
4.3	C131039300703	内屏蔽压管-35平	Φ13.80-14.40mm	2	
4.2	C131039300702	内屏蔽压管-50平	Φ15.20-15.8mm	2	
4.1	C131039300701	内屏蔽压管-70平	Φ17.40-18.20mm	2	
3.4	C131039300604	外屏蔽压管-25平	Φ11.60-12.20mm	2	
3.3	C131039300603	外屏蔽压管-35平	Φ13.80-14.40mm	2	
3.2	C131039300602	外屏蔽压管-50平	Φ15.20-15.8mm	2	
3.1	C131039300601	外屏蔽压管-70平	Φ17.40-18.20mm	2	
2	C131039300431	母端子		2	
1.3	CH10039300303	插头组件C		1	
1.2	CH10039300302	插头组件B		1	
1.1	CH10039300301	插头组件A		1	
序号	料号	名称	线缆直径	数量	备注



文件类型 DOCUMENT	图纸编号/DRAWING NUMBER			
	CAD	C-CL-HPC1800-23X		
图纸页数 SHEET	单位 UNIT	图纸 SIZE	比例 SCALE	版次 REV
2/3	mm	A3	×	A

1

2

3

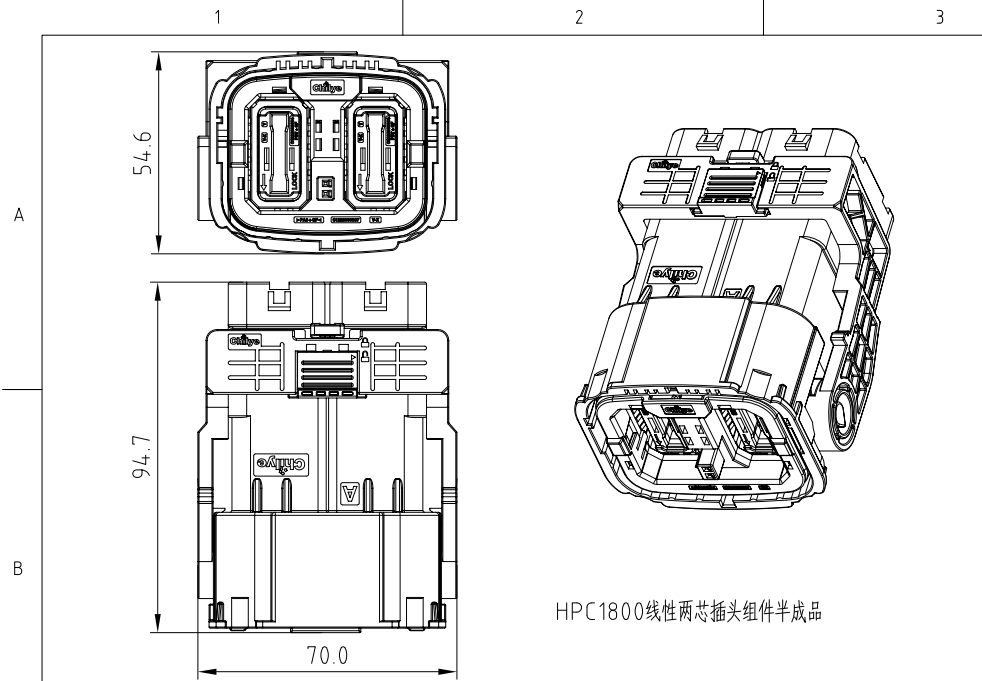
4

5

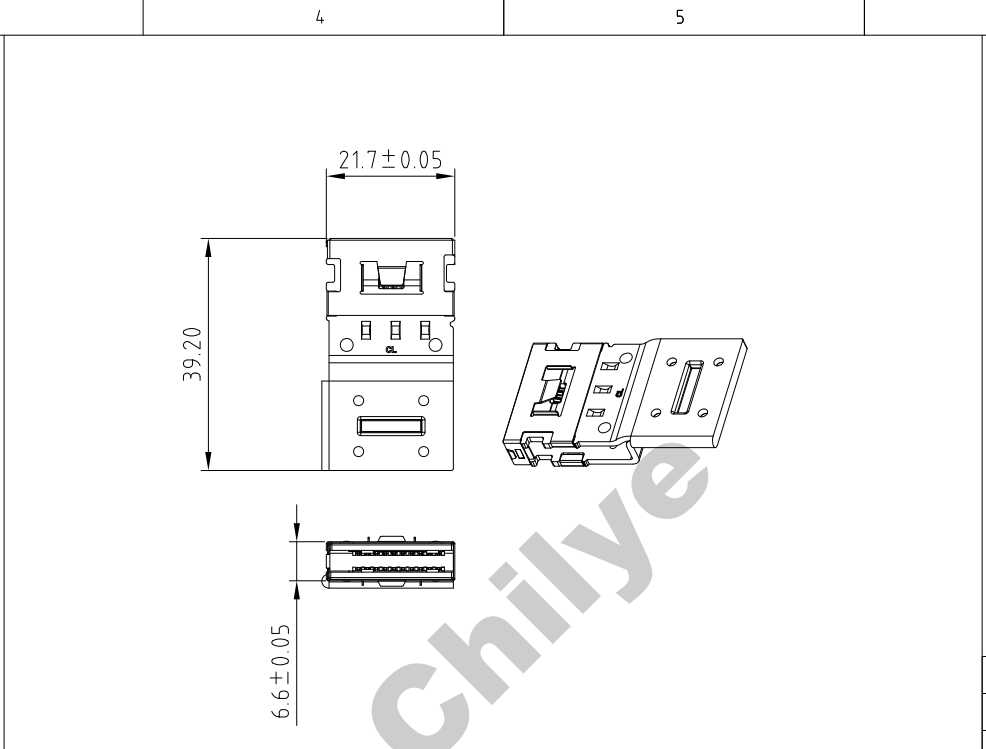
6

7

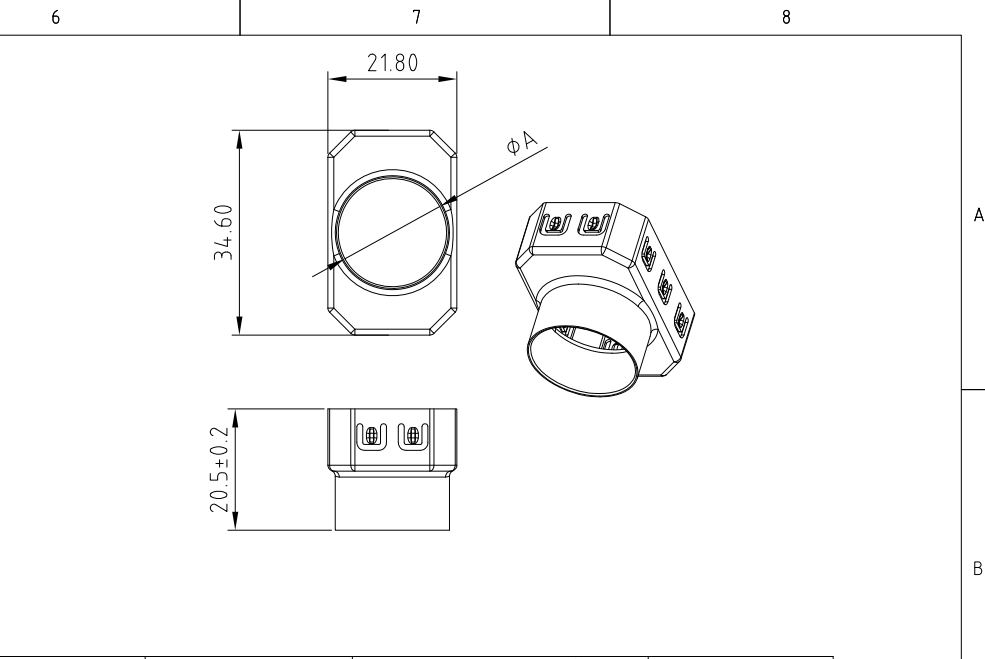
8



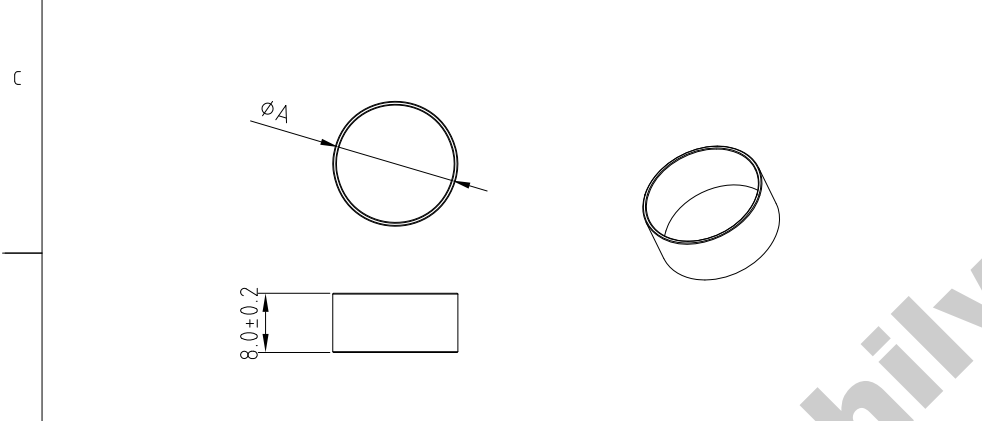
3	CH10039300303	HPC1800二芯插头半成品C	
2	CH10039300302	HPC1800二芯插头半成品B	
1	CH10039300301	HPC1800二芯插头半成品A	
ITEM/序号	SN/料号	NAME/名称	REMARK/备注



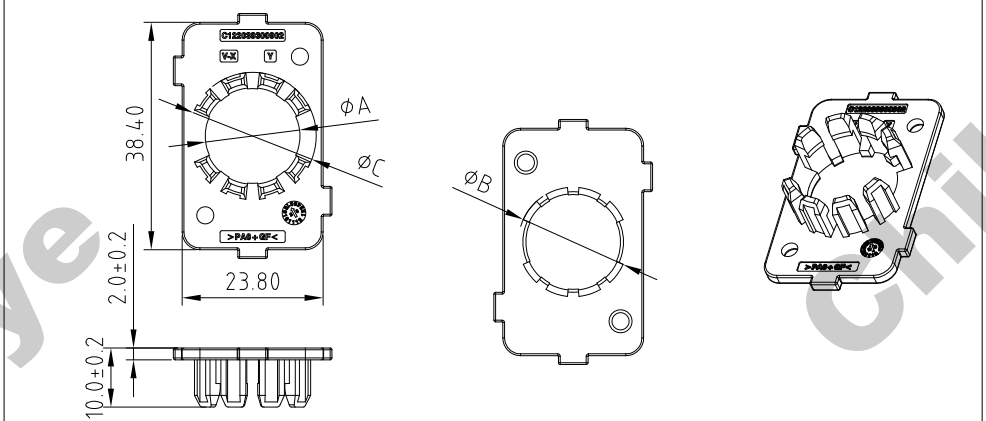
1	C131039300431	母端子	适配25mm ² -70mm ² 线缆
ITEM/序号	SN/料号	NAME/名称	REMARK/备注



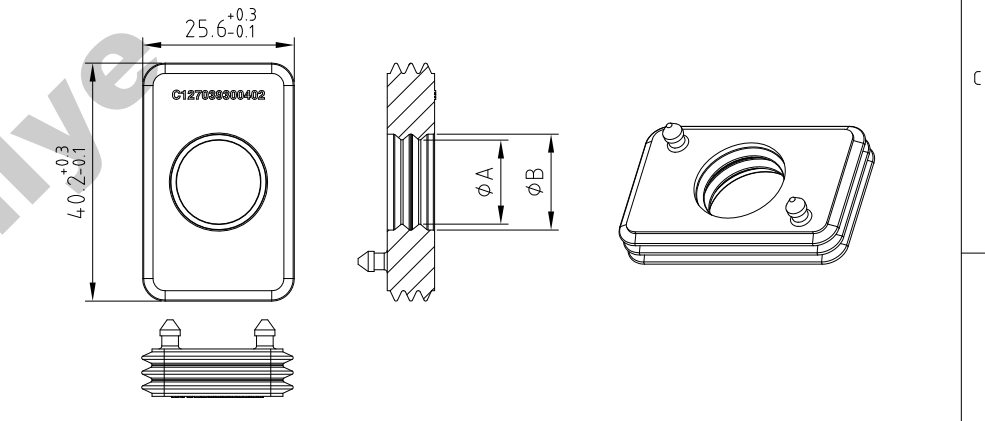
4	C131039300604	外屏蔽压管-25mm ²	14.5mm
3	C131039300603	外屏蔽压管-35mm ²	16.7mm
2	C131039300602	外屏蔽压管-50mm ²	18.3mm
1	C131039300601	外屏蔽压管-70mm ²	20.7mm
ITEM/序号	SN/料号	NAME/名称	SIZE A±0.1



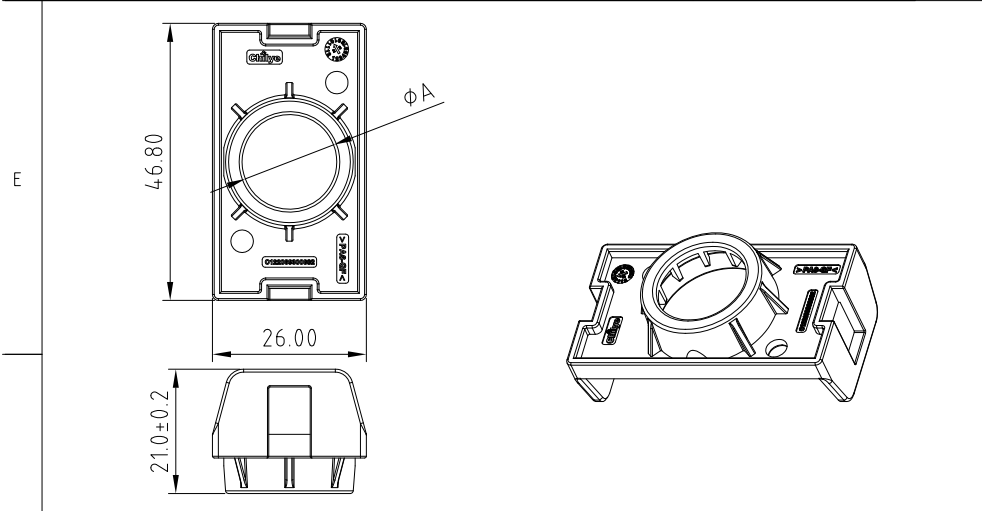
4	C131039300704	内屏蔽压管-25mm ²	12.3mm
3	C131039300703	内屏蔽压管-35mm ²	14.5mm
2	C131039300702	内屏蔽压管-50mm ²	15.9mm
1	C131039300701	内屏蔽压管-70mm ²	18.3mm
ITEM/序号	SN/料号	NAME/名称	SIZE A±0.1



4	C122039300904	线夹线性-25mm ²	12.4mm	14.9mm	17.5mm
3	C122039300903	线夹线性-35mm ²	14.6mm	17.1mm	19.7mm
2	C122039300902	线夹线性-50mm ²	16.0mm	18.5mm	21.1mm
1	C122039300901	线夹线性-70mm ²	18.4mm	20.9mm	23.5mm
ITEM/序号	SN/料号	NAME/名称	SIZE A±0.1	SIZE B±0.1	SIZE C±0.1



4	C127039300404	线缆防水圈-25mm ²	10.6mm	12.6mm
3	C127039300403	线缆防水圈-35mm ²	12.8mm	14.8mm
2	C127039300402	线缆防水圈-50mm ²	14.2mm	16.2mm
1	C127039300401	线缆防水圈-70mm ²	16.4mm	18.4mm
ITEM/序号	SN/料号	NAME/名称	SIZE A (+0.1, -0.3)	SIZE B±0.1



4	C122039300804	尾帽线性-25mm ²	12.4mm
3	C122039300803	尾帽线性-35mm ²	14.6mm
2	C122039300802	尾帽线性-50mm ²	16.0mm
1	C122039300801	尾帽线性-70mm ²	18.4mm
ITEM/序号	SN/料号	NAME/名称	SIZE A±0.1



文件类型 DOCUMENT	图纸编号/DRAWING NUMBER			
CAD	C-CL-HPC1800-23X			
图纸页数 SHEET	单位 UNIT	图纸 SIZE	比例 SCALE	版次 REV
3/3	mm	A3	—	A