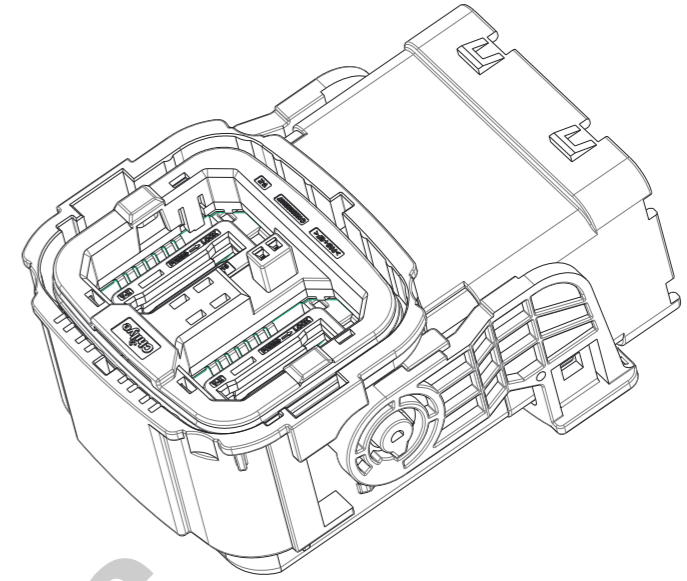
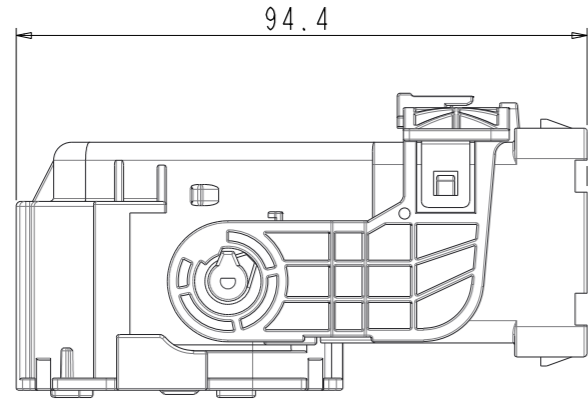
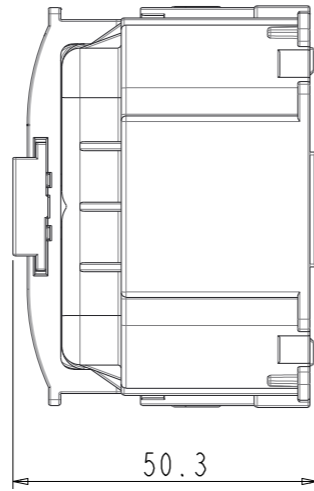
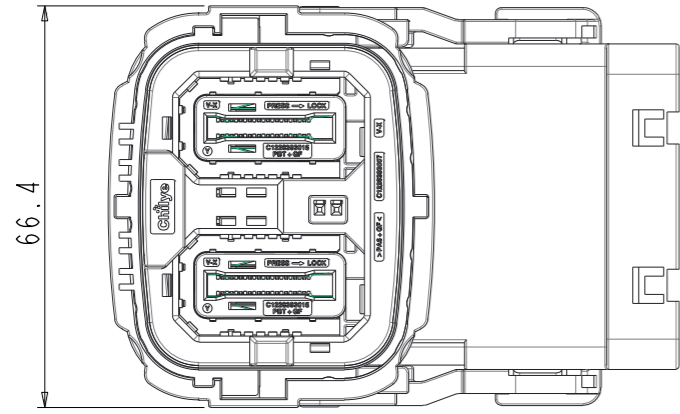
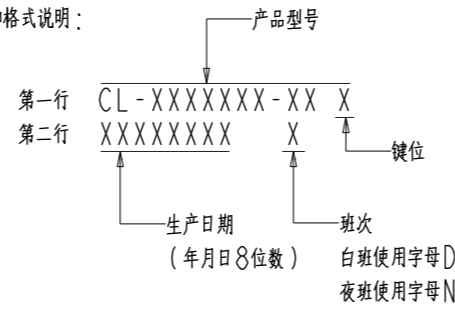


版本 REV	工程变更号 ECN No	变更描述 CHANGED DESCRIPTION	日期 DATE	修改人 MODIFIED
A		首次发行(FIRST RELEASE)	2024/02/22	刘冰冰



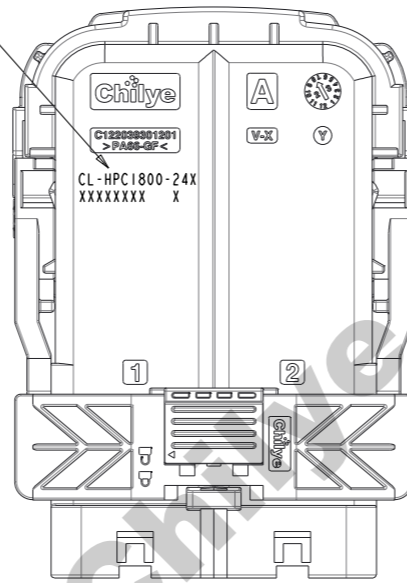
激光打标打标内容和格式说明:



技术描述:

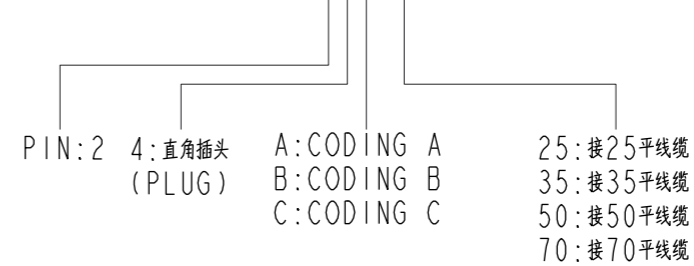
- 运输条件: TPA处于预锁定状态;  
SHIPPING CONDITIONS: TPA IS PRE-LOCKED;
- 运输条件: 扳手处于预锁定状态;  
SHIPPING CONDITIONS: THE WRENCH IS PRE-LOCKED;
- CPA处于锁定状态;  
THE CPA IS LOCKED;
- 插拔寿命: 大于100次;  
DURABILITY IS MORE THAN 100TIMES;
- 额定电压: 1000V DC;  
RATED VOLTAGE: 1000V DC;
- 额定电流: 280A, 85°C, 70mm<sup>2</sup>;  
RATED CURRENT: 280A; 85°C, 70mm<sup>2</sup>;
- 绝缘阻抗: 1000V DC; 60S; ≥200MΩ (下线检测时间5S);  
INSULATION RESISTANCE: 1000V DC; 60S; ≥200MΩ;  
(OFFLINE DETECTION TIME 5 SECONDS);
- 绝缘耐压: 3000V AC 60S; 无击穿、断裂、漏电流≤5MA (下线检测时间5S);  
WITHSTANDING VOLTAGE: 3000V AC 60S NO BREAKDOWN; FRACTURE;  
LEAKAGE CURRENT ≤5MA OFFLINE DETECTION TIME 5 SECONDS)
- 防护等级: IP67, IP6K9K (已插合); IP2XB (未插合);  
IP RATING: IP67, IP6K9K (MATED); IP2XB (UNMATED);
- 工作温度: -40至125°C;  
OPERATION TEMPERATURE: -40至125°C
- 阻燃等级: UL94V-0;  
FLAMMABILITY RATING: UL94V-0;
- 材料符合ROHS和REACH要求;  
THE MATERIAL MEETS ROHS AND REACH REQUIREMENTS;
- 材料符合禁用物质要求;  
THE MATERIAL MEETS THE REQUIREMENTS OF A PROHIBITED SUBSTANCE;

激光打标指定位置  
居中字体适当调整



料号说明: (PRODUCT MODEL INSTRUCTION):

C-CL-HPC1800-24X-XX



70mm <sup>2</sup>	Ø 17.40-18.20mm
50mm <sup>2</sup>	Ø 15.20-15.80mm
35mm <sup>2</sup>	Ø 13.80-14.40mm
25mm <sup>2</sup>	Ø 11.60-12.20mm
SIZE	OUTSIDE DIAMETER
SCOPE OF CABLE OUTSIDE DIAMETER	

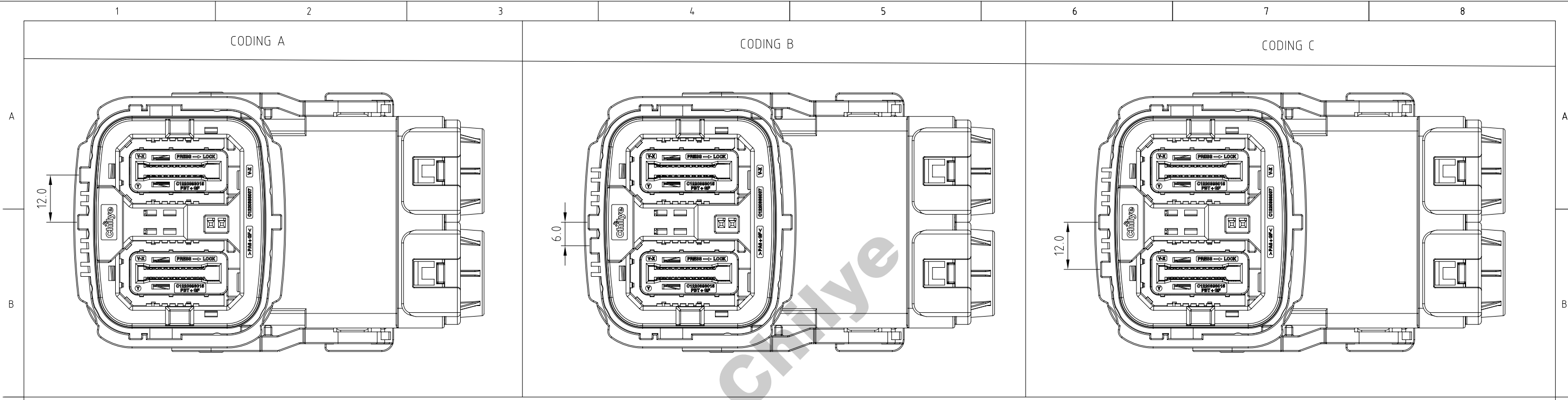
THE DOCUMENT CONTAINS INFORMATION WHICH IS PROPRIETARY TO CHILYE AND SHOULD NOT BE USED WITHOUT WRITTEN PERMISSION

Chilye 智绿

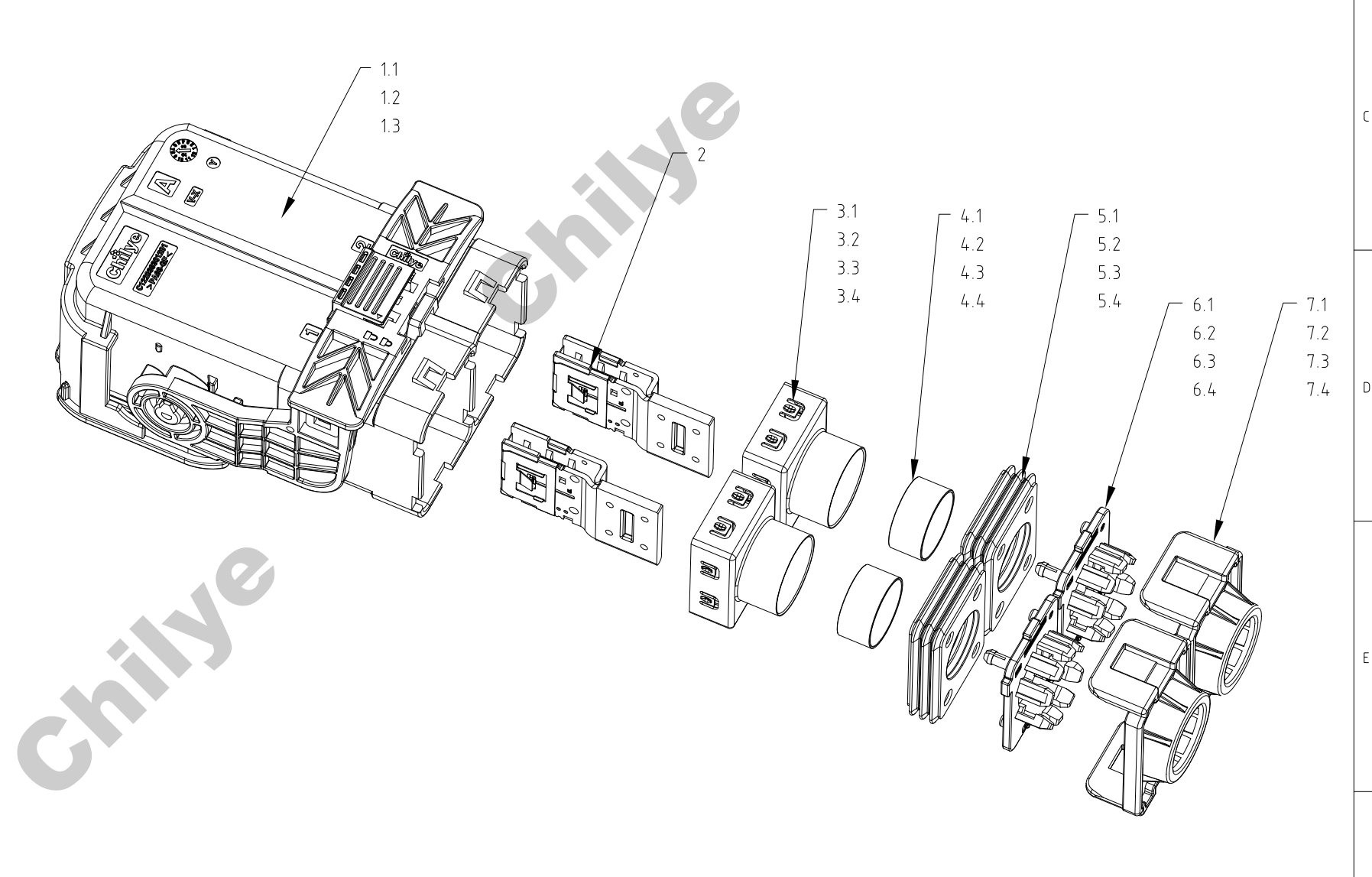
产品名称/PART NAME

HPC1800-24X插头

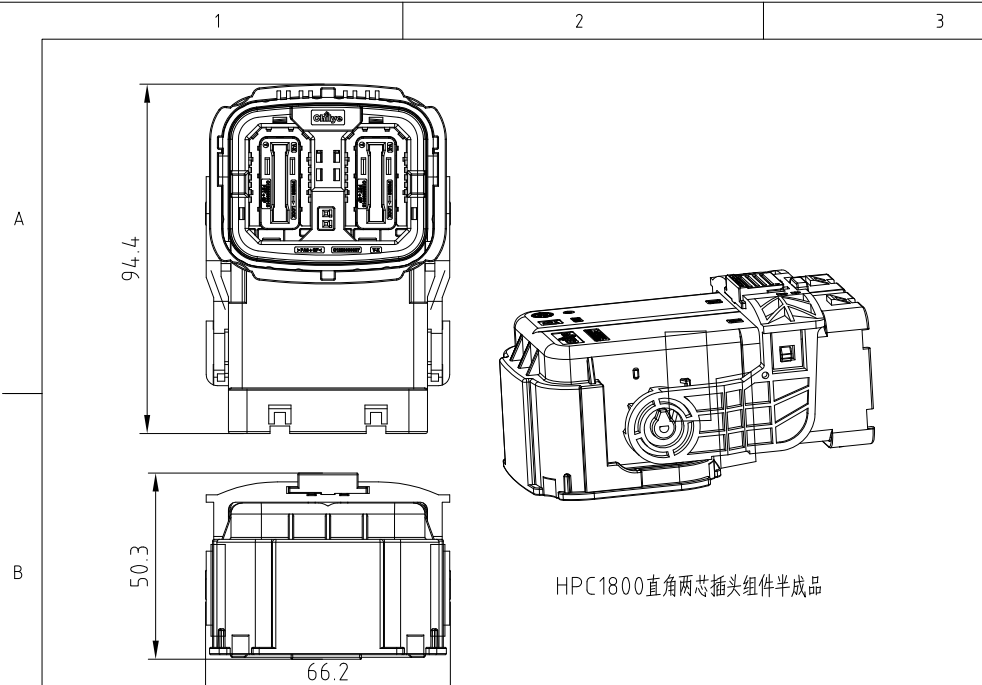
X ±0.5	X° ±10°	第一视角 PROJECTION	设计 DESIGNER	刘冰冰	2024/02/22	文件类型 DOCUMENT	图纸编号/DRAWING NUMBER			
.XX ±0.30	.XX° ±0.5°		标准化 STANDARDIZATION			CAD	C-CL-HPC1800-24X			
重量 WEIGHT		审核 CHECKED	审核 CHECKED			图纸页数 SHEET	单位 UNIT	图纸 SIZE	比例 SCALE	版次 REV
材料 MATERIAL		核准 APPROVED				1 / 1	mm	A3	4:5	A



	7.4	C122039301604	尾帽-25平	φ11.60-12.20mm	2	
	7.3	C122039301603	尾帽-35平	φ13.80-14.40mm	2	
C	7.2	C122039301602	尾帽-50平	φ15.20-15.8mm	2	
	7.1	C122039301601	尾帽-70平	φ17.40-18.20mm	2	
	6.4	C122039301704	线夹-25平	φ11.60-12.20mm	2	
	6.3	C122039301703	线夹-35平	φ13.80-14.40mm	2	
	6.2	C122039301702	线夹-50平	φ15.20-15.8mm	2	
	6.1	C122039301701	线夹-70平	φ17.40-18.20mm	2	
D	5.4	C127039300504	线缆防水圈-25平	φ11.60-12.20mm	2	
	5.3	C127039300503	线缆防水圈-35平	φ13.80-14.40mm	2	
	5.2	C127039300502	线缆防水圈-50平	φ15.20-15.8mm	2	
	5.1	C127039300501	线缆防水圈-70平	φ17.40-18.20mm	2	
E	4.4	C131039300704	内屏蔽压管-25平	φ11.60-12.20mm	2	
	4.3	C131039300703	内屏蔽压管-35平	φ13.80-14.40mm	2	
	4.2	C131039300702	内屏蔽压管-50平	φ15.20-15.8mm	2	
	4.1	C131039300701	内屏蔽压管-70平	φ17.40-18.20mm	2	
	3.4	C131039301004	外屏蔽压管-25平	φ11.60-12.20mm	2	
	3.3	C131039301003	外屏蔽压管-35平	φ13.80-14.40mm	2	
	3.2	C131039301002	外屏蔽压管-50平	φ15.20-15.8mm	2	
	3.1	C131039301001	外屏蔽压管-70平	φ17.40-18.20mm	2	
	2	C131039300931	母端子		2	
F	1.3	CH10039300403	插头组件C		1	
	1.2	CH10039300402	插头组件B		1	
	1.1	CH10039300401	插头组件A		1	
	序号	料号	名称	线缆直径	数量	备注

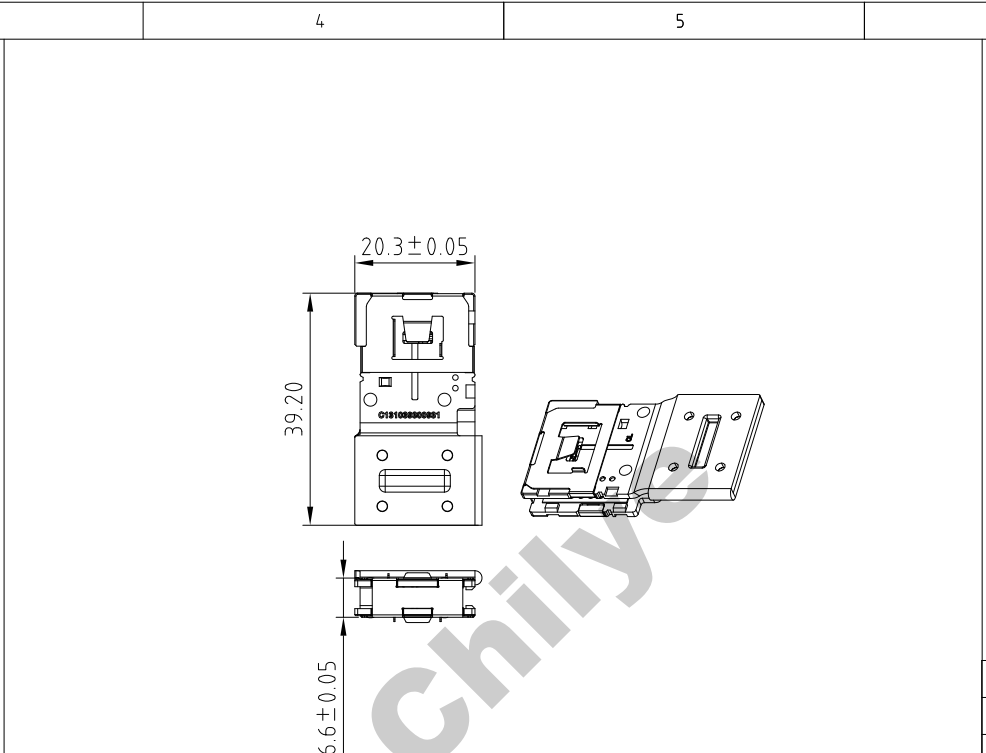


文件类型 DOCUMENT	图纸编号/DRAWING NUMBER			
	CAD	C-CL-HPC1800-24X		
图纸页数 SHEET	单位 UNIT	图纸 SIZE	比例 SCALE	版次 REV
2/3	mm	A3		A

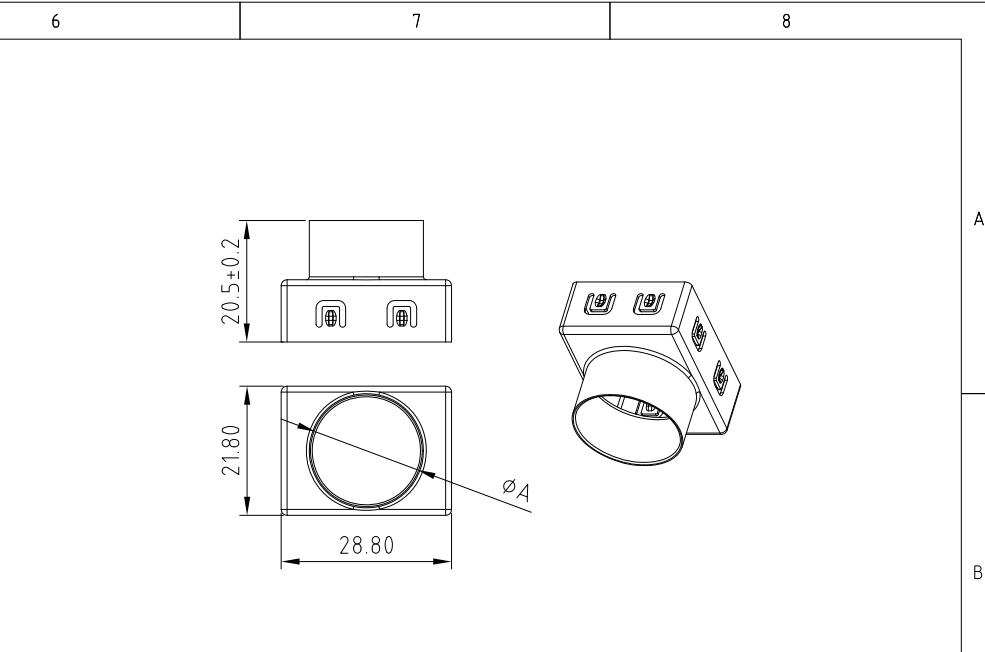


HPC1800直角两芯插头组件半成品

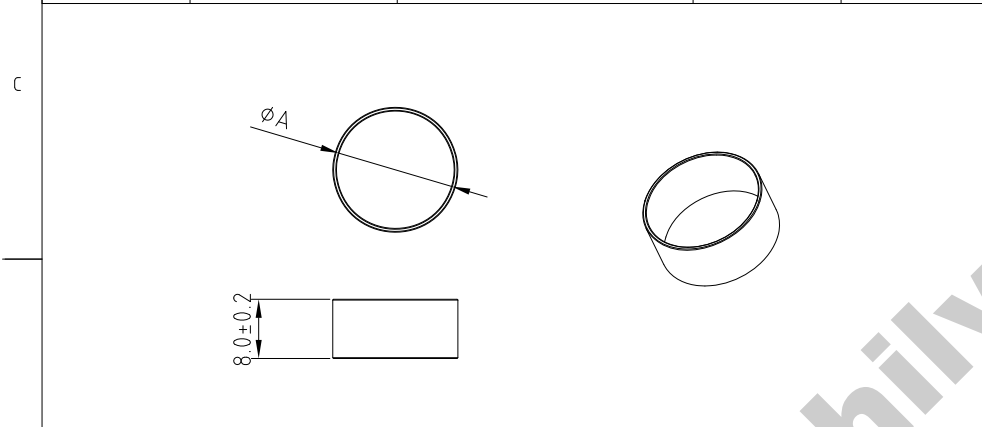
3	CH10039300403	HPC1800二芯插头半成品C	
2	CH10039300402	HPC1800二芯插头半成品B	
1	CH10039300401	HPC1800二芯插头半成品A	
ITEM/序号	SN/料号	NAME/名称	REMARK/备注



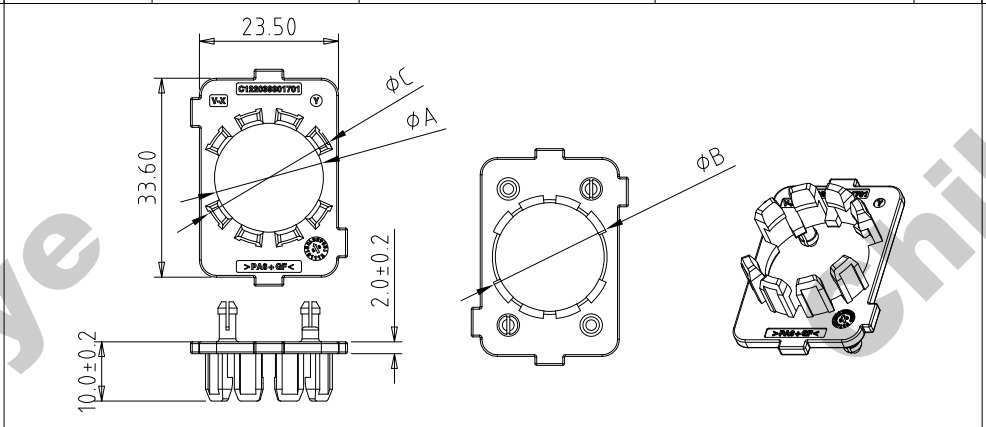
1	C131039300931	母端子	适配25mm <sup>2</sup> -70mm <sup>2</sup> 线缆
ITEM/序号	SN/料号	NAME/名称	REMARK/备注



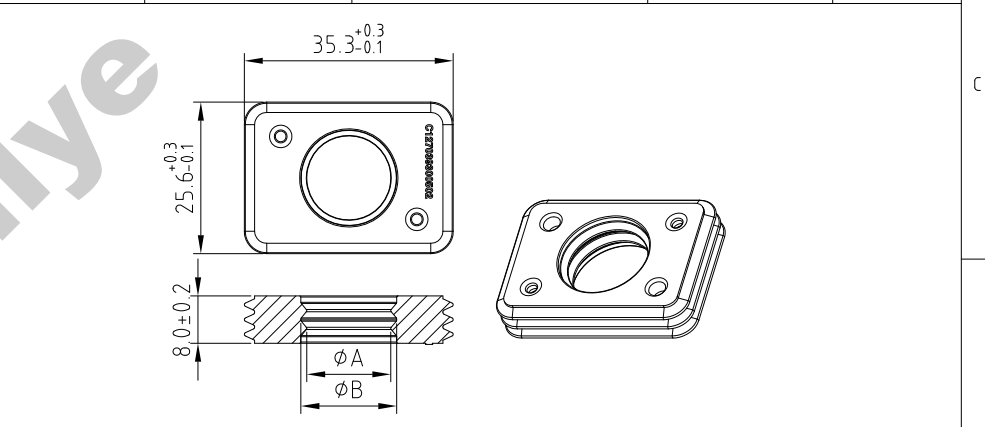
4	C131039301004	外屏蔽压管-25mm <sup>2</sup>	14.5mm
3	C131039301003	外屏蔽压管-35mm <sup>2</sup>	16.7mm
2	C131039301002	外屏蔽压管-50mm <sup>2</sup>	18.3mm
1	C131039301001	外屏蔽压管-70mm <sup>2</sup>	20.7mm
ITEM/序号	SN/料号	NAME/名称	SIZE A±0.1



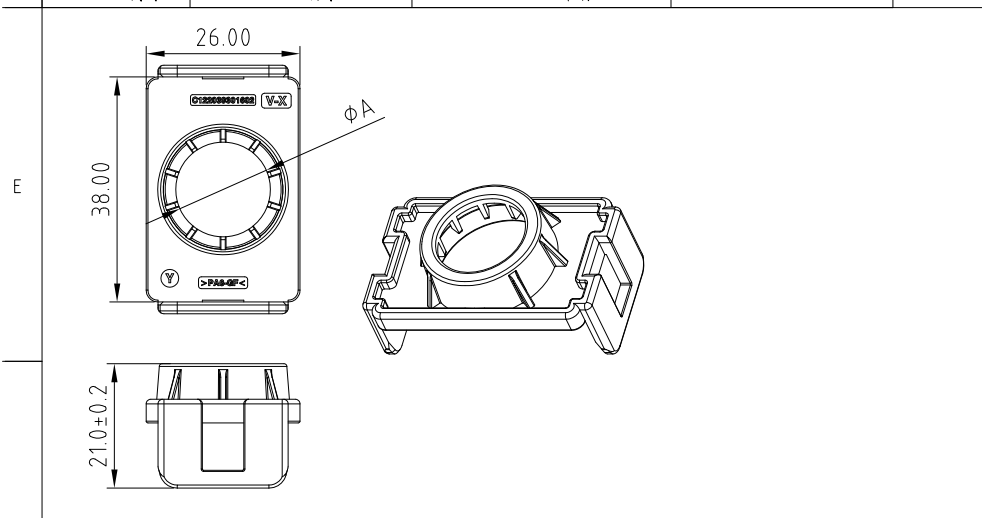
4	C131039300704	内屏蔽压管-25mm <sup>2</sup>	12.3mm
3	C131039300703	内屏蔽压管-35mm <sup>2</sup>	14.5mm
2	C131039300702	内屏蔽压管-50mm <sup>2</sup>	15.9mm
1	C131039300701	内屏蔽压管-70mm <sup>2</sup>	18.3mm
ITEM/序号	SN/料号	NAME/名称	SIZE A±0.1



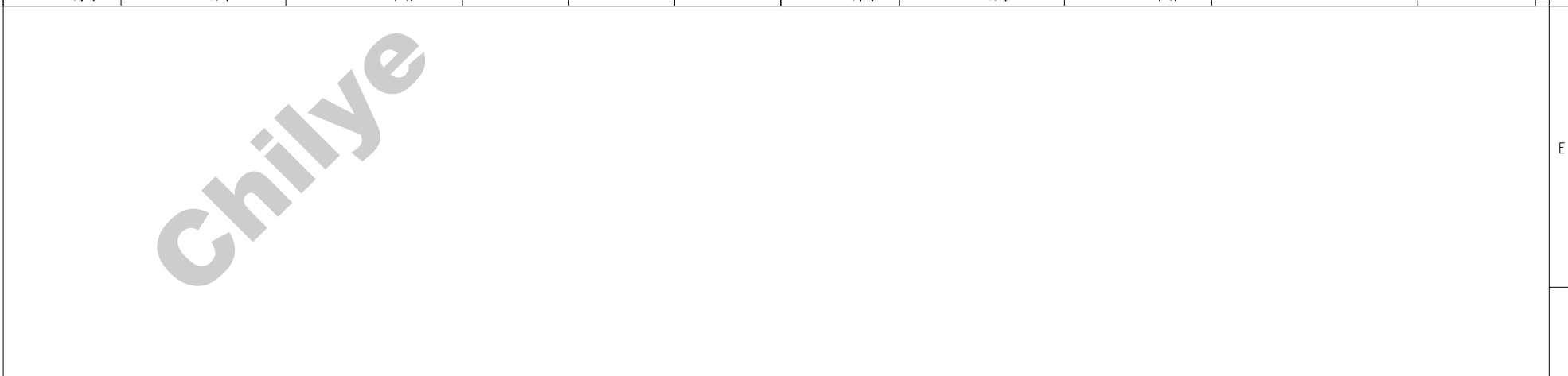
4	C122039301704	线夹-25mm <sup>2</sup>	12.4mm	14.9mm	17.5mm
3	C122039301703	线夹-35mm <sup>2</sup>	14.6mm	17.1mm	19.7mm
2	C122039301702	线夹-50mm <sup>2</sup>	16.0mm	18.5mm	21.1mm
1	C122039301701	线夹-70mm <sup>2</sup>	18.4mm	20.9mm	23.5mm
ITEM/序号	SN/料号	NAME/名称	SIZE A±0.1	SIZE B±0.1	SIZE C±0.1



4	C127039300504	线缆防水圈-25mm <sup>2</sup>	10.6mm	12.6mm
3	C127039300503	线缆防水圈-35mm <sup>2</sup>	12.8mm	14.8mm
2	C127039300502	线缆防水圈-50mm <sup>2</sup>	14.2mm	16.2mm
1	C127039300501	线缆防水圈-70mm <sup>2</sup>	16.4mm	18.4mm
ITEM/序号	SN/料号	NAME/名称	SIZE A (+0.1, -0.3)	SIZE B±0.1



4	C122039301604	尾帽-25mm <sup>2</sup>	12.4mm
3	C122039301603	尾帽-35mm <sup>2</sup>	14.6mm
2	C122039301602	尾帽-50mm <sup>2</sup>	16.0mm
1	C122039301601	尾帽-70mm <sup>2</sup>	18.4mm
ITEM/序号	SN/料号	NAME/名称	SIZE A±0.1



文件类型 DOCUMENT	图纸编号/DRAWING NUMBER			
CAD	C-CL-HPC1800-24X			
图纸页数 SHEET	单位 UNIT	图纸 SIZE	比例 SCALE	版次 REV
3/3	MM	A3	×	A